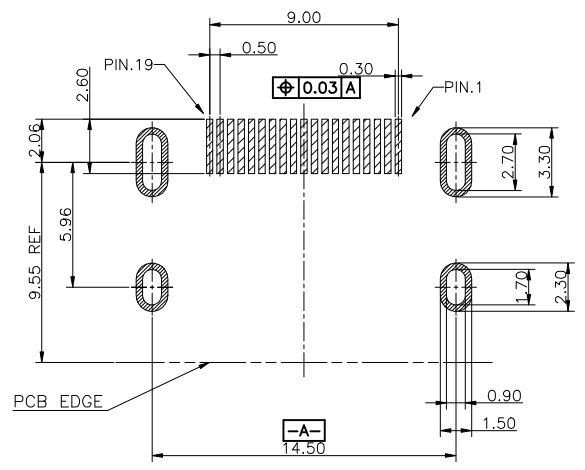
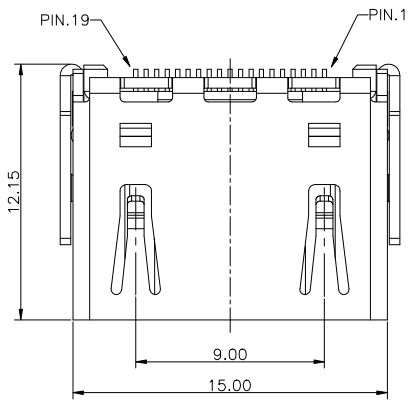


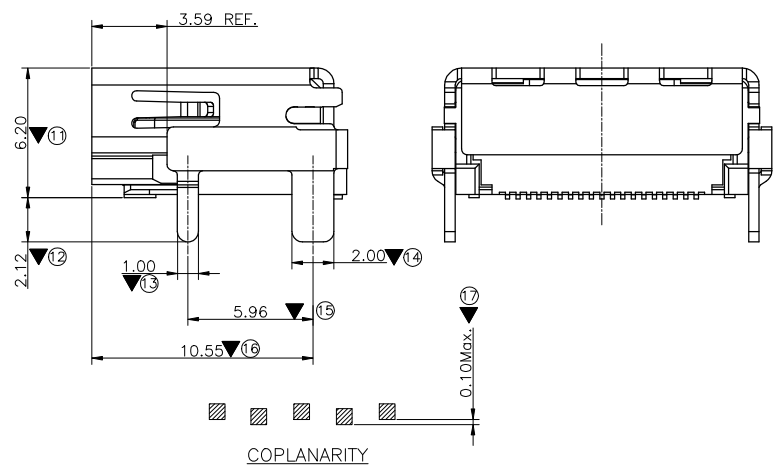
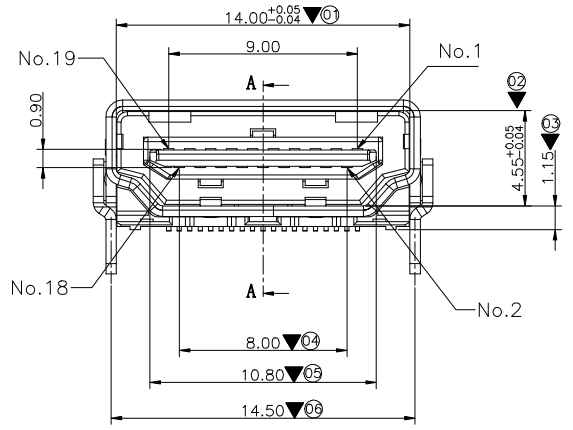
RoHS Compliant

REV.	ECN NO	LTR	DESCRIPTION	REVISER	DATE
A/0			Initial release.	Joe	2020.8.19
A/1			修改图面料号	WB	2021.04.21

- NOTE:
- MATERIAL:
 - INSULATOR:LCP+30%GF, UL94V-0, COLOR:BLACK
 - CONTACT: C2680R/H
 - SHELL:S50C T=0.5MM
 - PLATING:
 - CONTACT: SELECTIVE GOLD PLATED ON CONTACT AREA
80u" Min. TIN PLATED ON SOLDER TAIL
50u" Min. NICKEL UNDER-PLATED
 - SHELL:20u" Min. NICKEL PLATED OVERALL
 - CHARACTERISTICS:
 - ELECTRICAL CHARACTERISTICS;
CONTACT RESISTANCE:30mΩ MAXIMUM
CONTACT CURRENT RATING:0.5A
DIELECTRIC WITHSTANDING VOLTAGE:500 V AC R.M.S.
INSULATION RESISTANCE 100 MEGOHMS MIN
OPERATING TEMPERATURE:-25°C ~ +85°C
 - MECHANICAL:
MATING FORCE: 4.5Kg.Max.
UNMATING FORCE: 1.0-4.0Kg.
 - THE DIMENSIONS WITH "▼" MARK ARE CRITICAL AND SHOULD BE CONTROLLED BY QC.



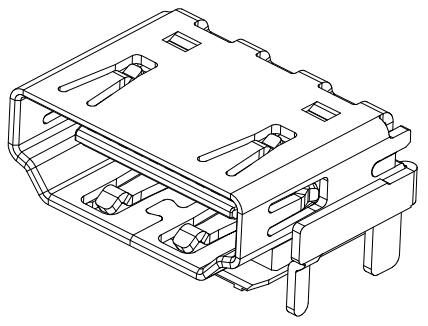
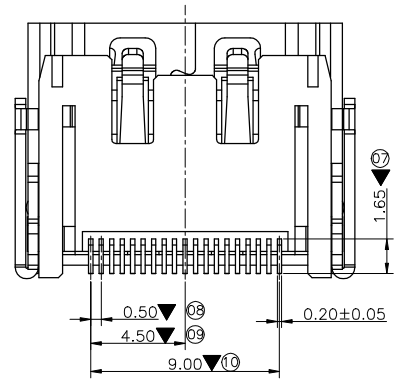
RECOMMENDED PCB LAYOUT(T=1.60mm)
TOP VIEW, TOLERANCE UNLESS OTHERWISE:±0.05



PART NUMBER INFORMATION
30619FK-X-C-N1-XX

Terminal plating: HF: Halogen Free
W/O HF: RoHS
REV.

- Gold flash
- Gold 15u" on contact area.
- Gold 30u" on contact area.



图号 (DWG NO)	G-306-S1-514	单位 (UNIT): MM	显赫电子科技有限公司 XianHe Electronic Technology co., ltd. TEL:0769-89138899 FAX:0769-89100950	
类别 (DWG TYPE)	SALES DWG	比例 (SCALE) 1:1		
版次 (REV): A/1	页次 (PAGE): 1/1		品名 (ITEM NO)	HDMI 2.1 RECEPTACME SMT TYPE WITHOUT CAP, DIP=2.12MM
设计 (DESIGN)	Joe	未注公差 TOLERANCE UNSPECIFIED	料号 (PART NO)	30619FKXCN1 ▲
审核 (CHECKED)		.X.X ± 0.38 .X.XX ± 0.20 .X.XXX ± 0.10 * ± 5° .X.* ± Z°		
核准 (APPROVED)				