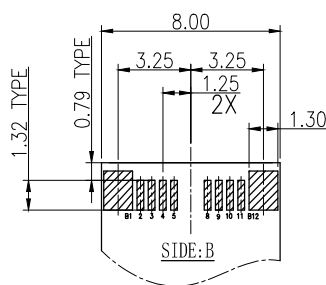
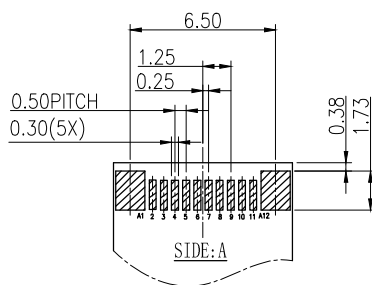
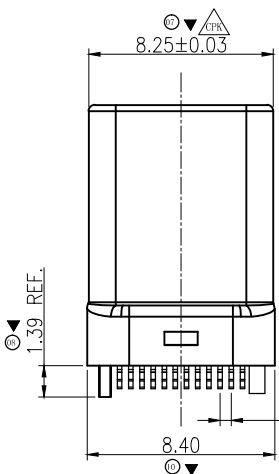
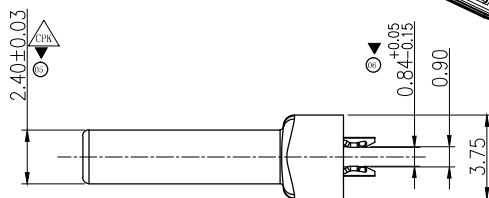
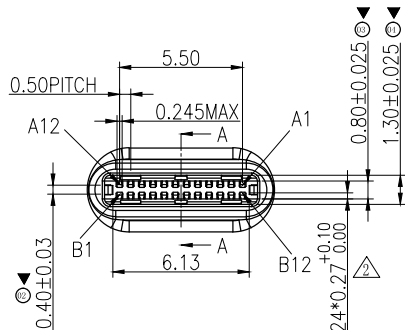
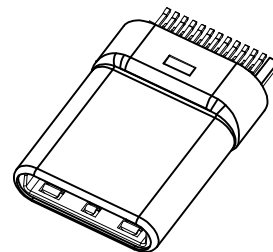
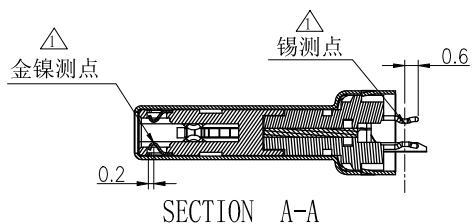
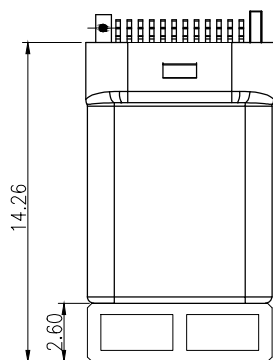
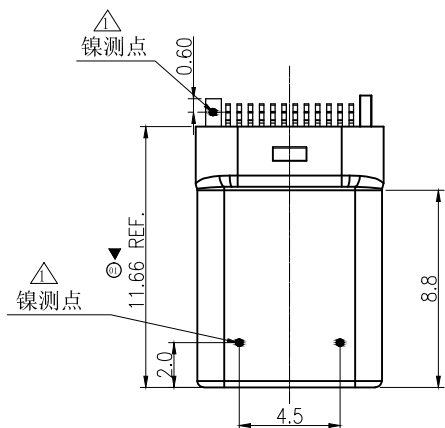


RoHS Compliant

NOTE2:

出货需装胶塞 \triangle



RECOMMENDED PCB LAYOUT
THICKNESS=0.8MM

REV.	ECN NO	LTR	DESCRIPTION	REVISER	DATE
A/0			Initial release.	Nelson	2016.04.20
A/1		\triangle	Add HF explain and Plating Test point	Sunny	2018.10.31
A/2		\triangle	修改弹高管控标准, 增加装胶塞注释	ZHUANG	2019.09.21

NOTE1:

1. MATERIAL:

- 1.1 INSULATOR: LCP-E130i, COLOR: BLACK; UL 94 V-0.
- 1.2 CONTACT: COPPER ALLOY 7025 T=0.20mm.
- 1.3 SHELL: STAINLESS STEEL SUS 304 T=0.15mm.
- 1.4 EMI SPRING: STAINLESS STEEL SUS 304 T=0.10mm.
- 1.5 LATCH: STAINLESS STEEL SUS 301 T=0.40mm.

2. PLATING:

- 2.1 CONTACT: SELECTIVE GOLD PLATED ON CONTACT AREA 100u" Min. MATTE TIN PLATED ON SOLDER TAIL 50u" Min. NICKEL UNDER-PLATED
- 2.2 SHELL: 50u" Min. NICKEL PLATED OVERALL
- 2.3 LATCH: 20u" min NICKEL PLATED OVERALL

3. CHARACTERISTICS:

- 3.1 ELECTRICAL CHARACTERISTICS:
CONTACT RESISTANCE: 40mΩ MAXIMUM
CONTACT CURRENT RATING: 3A Max FOR VBUS; 1.25A FOR OTHER PIN
DIELECTRIC WITHSTANDING VOLTAGE: 100 V R.M.S.
INSULATION RESISTANCE 100 MEGOHMS MIN
OPERATING TEMPERATURE: -40°C ~ +80°C

3.2 MECHANICAL:

- MATING FORCE: 5~20N.
- UNMATING FORCE: 8~20N. AFTER DURABILITY: 6~20N

4. ENVIRONMENTAL PROTECTION:

RoHS/REACH/65/PAHS/红磷/磷/PFSO

PART NUMBER INFORMATION

319CM-K-A0-X-SN-XX


Hsg. color: _____
B: Blue (300 C)
K: Black

REV _____

HF: Halogen Free \triangle
W/O HF: RoHS
Material of shell:
SN: SUS With Nickel plating

Terminal plating:

- 1: GOLD Au 1u" ON CONTACT AREA
- 4: GOLD Au 15u" ON CONTACT AREA
- 6: GOLD Au 30u" ON CONTACT AREA

图号 (DWG NO)	G-319-S1-195	单位 (UNIT):	MM	 显赫电子科技有限公司 XianHe Electronic Technology co., Ltd. TEL: 0769-89138899 FAX: 0769-89100950
类别 (DWG TYPE)	SALES DWG	比例 (SCALE)	1:1	
版次 (REV):	A/2	页次 (PAGE):	1/1	品名 (ITEM NO) USB C TYPE PLUG 3.1 WITHOUT PCB 料号 (PART NO) 319CM-K-A0-X-SN-XX
设计 (DESIGN)	Sunny	未注公差 TOLERANCE UNSPECIFIED	X.X ± 0.38 X.XX ± 0.20 X.XXX ± 0.10 * ± 5° X.X ± 2°	
审核 (CHECKED)				
核准 (APPROVED)				