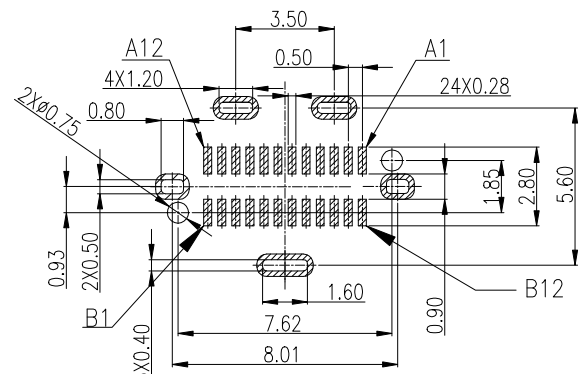
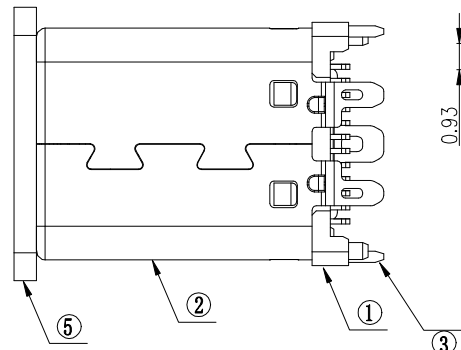
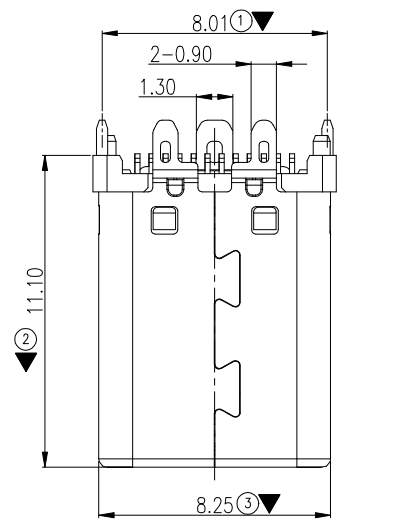


RoHS Compliant

REV.	ECN NO	LTR	DESCRIPTION	REVISER	DATE
A/0			Initial release.	Joe peng	2017.09.20



RECOMMENDED PCB LAYOUT(t=0.80±0.05)  
COMPONENT SIDE(GENERAL TOLERANCE:±0.05)

NOTE:

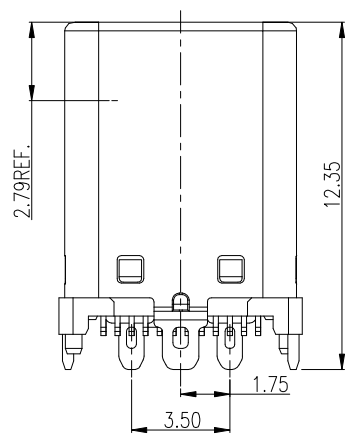
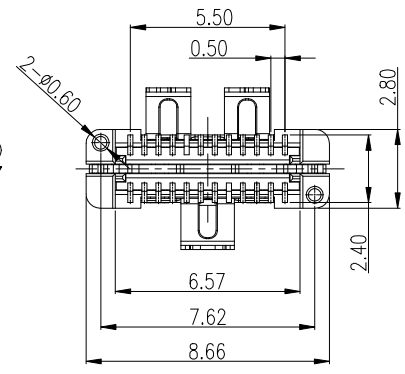
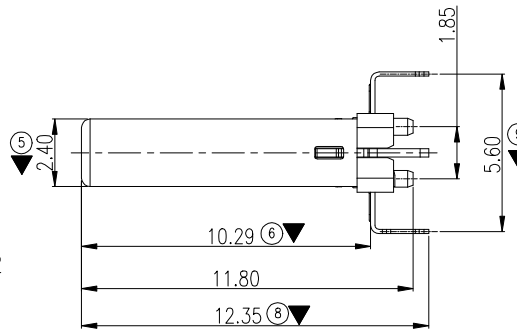
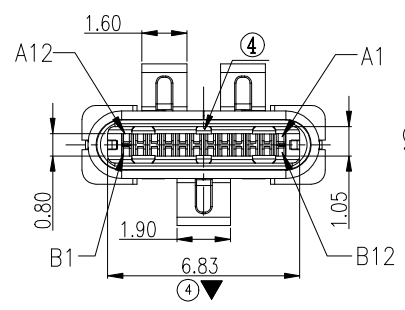
- CHARACTERISTICS:
  - ELECTRICAL CHARACTERISTICS:  
CONTACT RESISTANCE: 40mΩ MAXIMUM  
CONTACT CURRENT RATING: 3.0A  
VOLTAGE: 100 VAC  
INSULATION RESISTANCE 100 MEGOHMS MIN  
OPERATING TEMPERATURE: -30°C ~ +85°C
  - MECHANICAL:  
INSERTION FORCE: 5N~20N  
UNMATING FORCE: 8N~20N  
DURABILITY: 10,000 CYCLES
- THE DIMENSIONS WITH "▼" MARK ARE CRITICAL AND SHOULD BE CONTROLLED BY QC.

PART NUMBER INFORMATION  
3193CM-X-D8-X-SN

Hsg.color: \_\_\_\_\_  
K: Black

Material of shell:  
SN: SUS With Nickel plating

Terminal plating:  
1: Gold flash  
4: Gold 15u" on contact area.  
6: Gold 30u" on contact area.



A1	GND	B12	GND	5	COVER	HIGH TEMPERATURE PLASTIC	LCP BLACK	1PCS
A2	SSTXP1	B11	SSRXP1	4	SPRING	STAINLESS STEEL	—	2PCS
A3	SSTXN1	B10	SSRXN1	3	LATCH	STAINLESS STEEL	TIN: 80-120u"Min/Ni base: 50u"Min Plated	1PCS
A4	VBUS	B9	VBUS	2	SHELL	STAINLESS STEEL	Ni: 50u"Min Plated	1PCS
A5	CC1	B8	SBU2	1	TERMINAL HOUSING	HIGH TEMPERATURE PLASTIC	LCP BLACK/CONTACT: Au: optional Ni base 50u"Min	2PCS
A6	DP1	B7	DN2	NO.	DESCRIPTION	MATERIAL	REMARKS	QTY
A7	DN1	B6	DP2					
A8	SBU1	B5	CC2					
A9	VBUS	B4	VBUS					
A10	SSRXN2	B3	SSTXN2					
A11	SSRXP2	B2	SSTXP2					
A12	GND	B1	GND					
PIN	SIGNAL NAME	PIN	SIGNAL NAME					

图号 (DWG NO)	G-319-S1-618	单位 (UNIT):	MM
类别 (DWG TYPE)	BRKE DWG	比例 (SCALE):	1:1
版次 (REV):	A/0	页次 (PAGE):	1/1
设计 (DESIGN)	Joe peng	未注公差	TOLERANCE UNSPECIFIED
审核 (CHECKED)		.x.x	± 0.30
核准 (APPROVED)		.x.xx	± 0.20
		.x.xxx	± 0.10
		"	± 1"
		.x.x"	± 0.5"

**显赫电子科技有限公司**  
XianHe Electronic Technology co., Ltd.

TEL: 0769-89138899 FAX: 0769-89100950

品名 (ITEM NO): USB C TYPE 180度SMT 公头, 24PIN, H=11.1mm, LCP黑色, 不锈钢冲压外壳, 镀镍

料号 (PART NO): Please see P/N information