

RoHS Compliant

客户料号:600002-4K5G00

REV.	ECN NO	LTR	DESCRIPTION	REVISER	DATE
A/0			Initial release.	Joe	2018.12.17

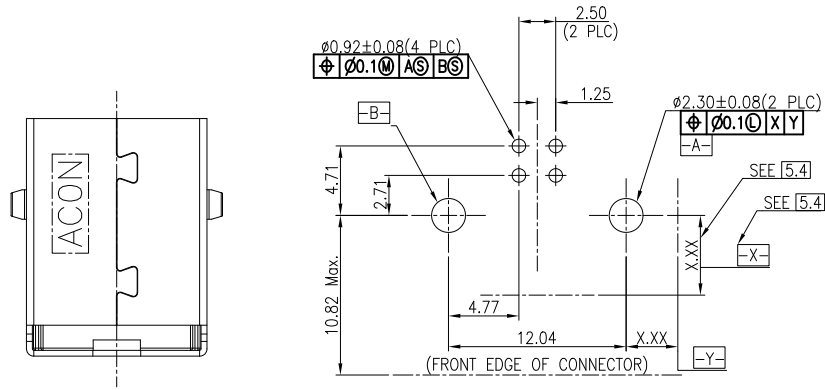
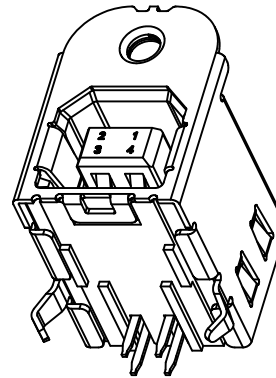
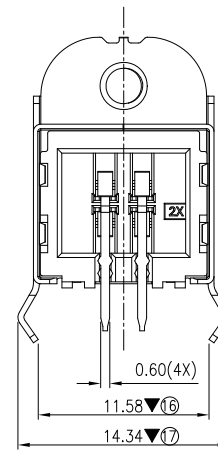
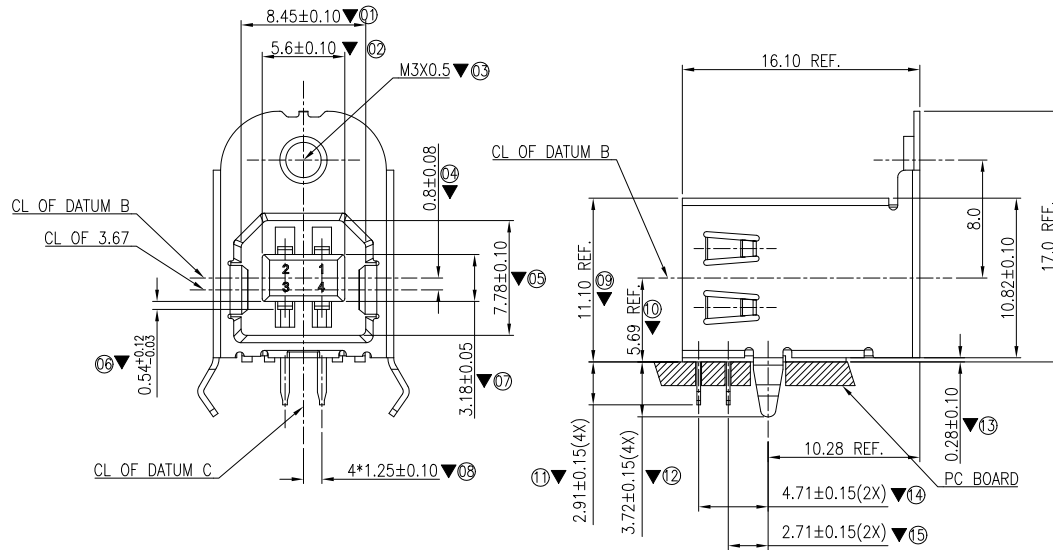


FIGURE A: PCB FOOTPRINT FOR RECEPTACLE (THROUGH-HOLE)



NOTE:

1. MATERIAL:
 - 1.1 INSULATOR: PBT+30%GF, UL94V-0, COLOR: BLACK
 - 1.2 CONTACT: C5191 T=0.25MM,
 - 1.3 SHELL: C2680 T=0.4MM
2. PLATING:
 - 2.1 CONTACT: 30u" MIN GOLD PLATED ON CONTACT AREA
100~200u" Min. TIN PLATED ON SOLDER TAIL
50~100u" Min. NICKEL UNDER-PLATED
 - 2.2 SHELL: 100~200u" BRIGHT TIN OVER 50~150u" NICKEL.
3. CHARACTERISTICS:
 - 3.1 ELECTRICAL CHARACTERISTICS:
CONTACT RESISTANCE: 30mΩ MAXIMUM
CONTACT CURRENT RATING: 1.5A
DIELECTRIC WITHSTANDING VOLTAGE: 500 V R.M.S.
INSULATION RESISTANCE 1000 MEGOHMS MIN
OPERATING TEMPERATURE: -20°C ~ +60°C
 - 3.2 MECHANICAL:
MATING FORCE: 3.57Kg.Max.
UNMATING FORCE: 1.02Kg.Min.
4. DESIGN STANDARD ACCORDING TO USB_2.0 SPECIFICATION.
5. THE DIMENSIONS WITH "▼" MARK ARE CRITICAL AND SHOULD BE CONTROLLED BY QC.



PART NUMBER INFORMATION

319BF-K-D9-6-CN

Hsg.color:
K:Black

Terminal plating:

- 1: Gold flash
- 4: Gold 15u"
- 6: Gold 30u"

REV

图号 (DWG NO)	G-319-S2-314	单位 (UNIT): MM	<p>显赫电子科技有限公司 XianHe Electronic Technology co., ltd.</p>
类别 (DWG TYPE)	ENG DWG	比例 (SCALE) 1:1	
版次 (REV): A/0	页次 (PAGE): 1/1		TEL: 0769-89138899 FAX: 0769-89100950
设计 (DESIGN)	Joe	未注公差 TOLERANCE UNSPECIFIED	品名 (ITEM NO)
审核 (CHECKED)		x.x ± 0.15 x.xx ± 0.10 x.xxx ± 0.05 x" ± 2" x.x" ± 1"	USB B/F 90度 黑色半金锡足30u" 端子DIP=2.91mm, 外壳青蛙脚3.72mm连续镀锡, 印ACON logo, Tray包装
核准 (APPROVED)			料号 (PART NO)
			319BFKD96CN