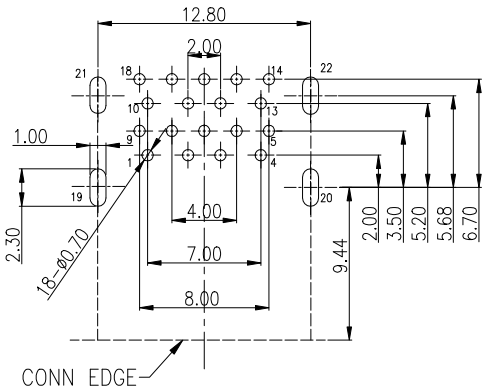
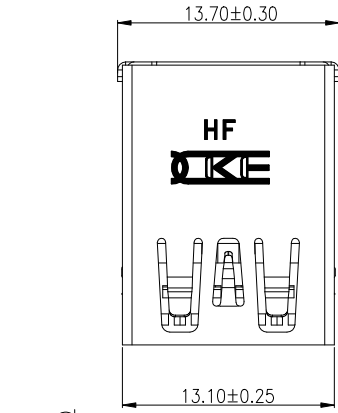
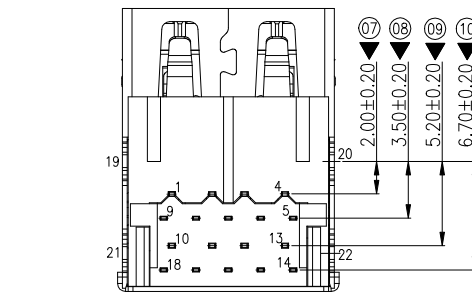
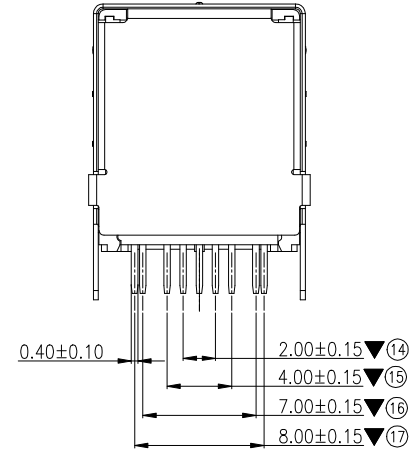
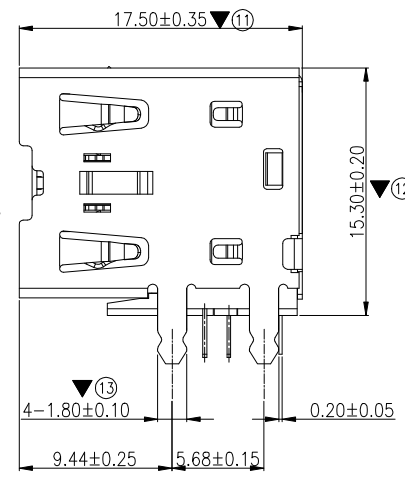
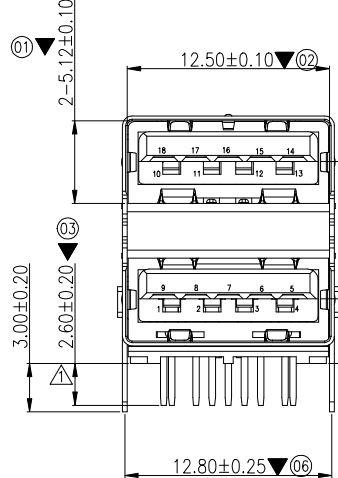


RoHS Compliant

REV.	ECN NO	LTR	DESCRIPTION	REVISER	DATE
A/0			Initial_release.	Allen_Tsai	2021.03.26
A/1		△	依客户要求DIP脚改为2.60MM	GENG	2021.08.05

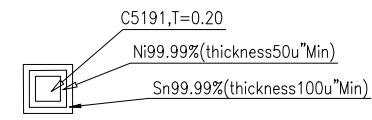


P.C.B. LAYOUT (COMPONENT SIDE)  
DEFAULT TOLERANCE: ±0.05

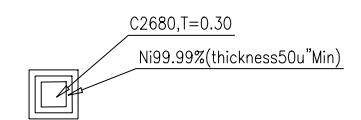


NOTE:

- MATERIAL:
  - INSULATOR: PBT+30%GF, UL94V-0, COLOR: BLACK
  - COVER: PBT+30%GF, UL94V-0, COLOR: BLACK
  - CONTACT 1~4/10-13PIN: C5191R/H T=0.20MM.
  - CONTACT 5~9/14-18PIN: C2680R/H T=0.20MM.
  - SHELL: C2680R-H T=0.3MM
  - MIDDLE SHELL: C2680 T=0.30mm
  - BLACK COVER: SPCC, T=0.30mm
- PLATING:
  - CONTACT: Au 30u" PLATED ON CONTACT AREA  
80u" Min. TIN PLATING ON SOLDER TAIL  
50u" Min. NICKEL UNDER-PLATED
  - SHELL: 50u" Min. NICKEL PLATED OVERALL
- CHARACTERISTICS:
  - ELECTRICAL CHARACTERISTICS;  
CONTACT RESISTANCE: 30mΩ MAXIMUM  
CONTACT CURRENT RATING: 1.8A  
DIELECTRIC WITHSTANDING VOLTAGE: 500 V R.M.S.  
INSULATION RESISTANCE 100 MEGOHMS MIN  
OPERATING TEMPERATURE: -25°C ~ +85°C
  - MECHANICAL:  
MATING FORCE: 3.57Kg. Max.  
UNMATING FORCE: 1.02Kg. Min.
- DESIGN STANDARD ACCORDING TO USB\_3.0 SPECIFICATION.
- THE DIMENSIONS WITH "▼" MARK ARE CRITICAL AND SHOULD BE CONTROLLED BY QC.



Contact Pin (L=2.60±0.20MM)



Shell Pin (L=3.0±0.20MM)

图号 (DWG NO)	G-601-S1-537	单位 (UNIT):	MM	<b>显赫电子科技有限公司</b> XianHe Electronic Technology co., Ltd.
类别 (DWG TYPE)	SALES DWG	比例 (SCALE)	1:1	
版次 (REV):	A/1	页次 (PAGE):	1/1	TEL: 0769-89138899 FAX: 0769-89100950
设计 (DESIGN)	Allen_Tsai	未注公差 TOLERANCE UNSPECIFIED X.X ± 0.38 X.XX ± 0.20 X.XXX ± 0.10 X ± 5 X.X ± Z	品名 (ITEM NO)	ASP A/F R/A DIP 双层 黑色
审核 (CHECKED)			料号 (PART NO)	601ASPW3HF
核准 (APPROVED)				