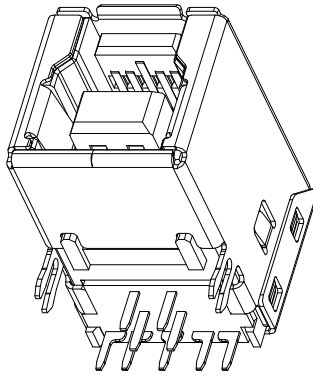
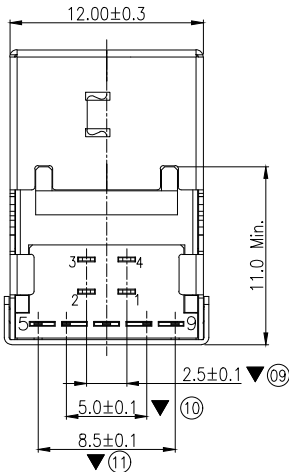
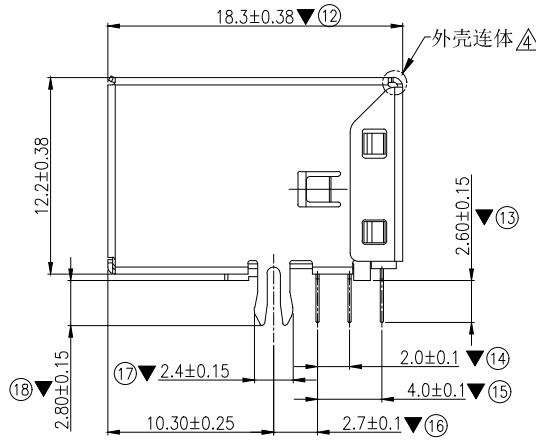
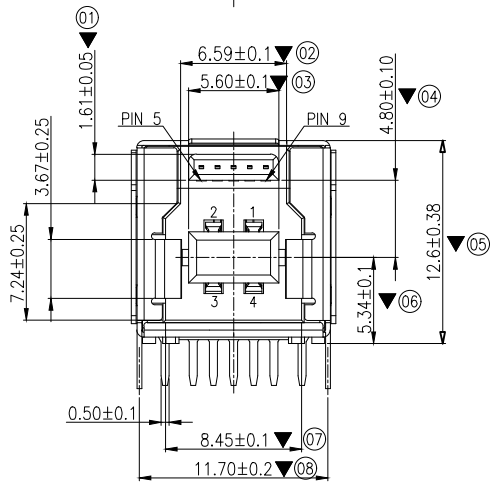
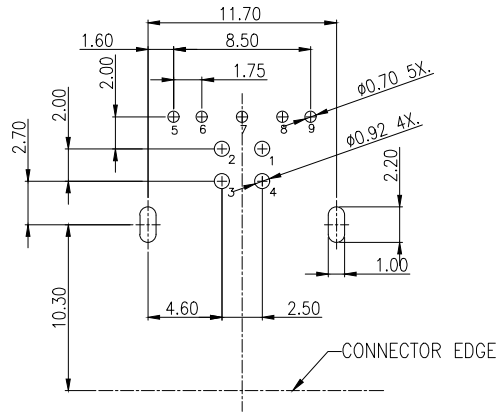
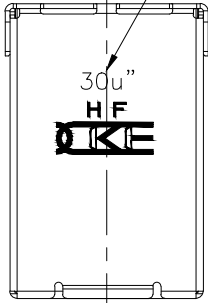


RoHS Compliant

30u": 此喷码只针对以下料号
 (TPV: 31930BFBA07BNHF)



REV.	ECN NO	LTR	DESCRIPTION	REVISER	DATE
A/1	20121009002		变更产品结构及尺寸与客户规范相符	NELSON	2012.10.09
A/2	20130420001		变更鱼叉脚形状及电镀规格	NELSON	2013.06.26
A/3		△	应客户要求增加电镀U"数喷码	ZXW	2015.12.10
A/4	20160511001	△	客户反馈后铁壳脱落, 外壳改为后盖连体式	JERRY	2016.05.11
A/5		△	修改喷码描述	JOE	2020.06.22

NOTE:

1. MATERIAL:

- 1.1 INSULATOR: PA10T+30%GF, UL94V-0, COLOR: OPTIONAL
- 1.2 CONTACT: 1-4PIN, BRONZE C5191
- 1.3 CONTACT: 5-9PIN, BRASS C2680
- 1.4 SHELL: STAINLESS STEEL

2. PLATING:

- 2.1 CONTACT: SELECTIVE GOLD PLATED ON CONTACT AREA 100u" Min. MATTE TIN PLATED ON SOLDER TAIL 50u" Min. NICKEL UNDER-PLATED
- 2.2 SHELL: 50u" Min. NICKEL PLATED OVERALL

3. CHARACTERISTICS:

- 3.1 ELECTRICAL CHARACTERISTICS;
CONTACT RESISTANCE: 30mΩ MAXIMUM
CONTACT CURRENT RATING: 1.5A
DIELECTRIC WITHSTANDING VOLTAGE: 500 V R.M.S.
INSULATION RESISTANCE 100 MEGOHMS MIN
OPERATING TEMPERATURE: -25°C~+85°C

3.2 MECHANICAL:

- MATING FORCE: 3.57Kg.Max.
- UNMATING FORCE: 1.02Kg.Min.

4. DESIGN STANDARD ACCORDING TO USB_3.0 SPECIFICATION.

- 5. THE DIMENSIONS WITH "▼" MARK ARE CRITICAL AND SHOULD BE CONTROLLED BY QC.

PART NUMBER INFORMATION

31930BF-X-A0-X-BN-XX

HSG.COLOR:
B: BLUE(300C)
Y: YELLOW
K: BLACK
O: ORANGE
G: GREEN

HF: Halogen Free
W/O HF: RoHS

TERMINAL PLATING:
1: GOLD 15u"
6: GOLD 15u"
7: GOLD 30u"

图号 (DWG NO)	G-319-S1-100	单位 (UNIT):	MM	显赫电子科技有限公司 XianHe Electronic Technology co., Ltd.	
类别 (DWG TYPE)	SALES DWG	比例 (SCALE)	1:1		
版次 (REV):	A/5	页次 (PAGE):	1/1	TEL: 0769-89138899 FAX: 0769-89100950	
设计 (DESIGN)	NELSON	未注公差	TOLERANCE UNSPECIFIED	品名 (ITEM NO)	USB 3.0 B/F R/A DIP
审核 (CHECKED)		X.X ± 0.38		料号 (PART NO)	Please see P/N information
核准 (APPROVED)		X.XX ± 0.20			
		X.XXX ± 0.10			
		X' ± 5'			
		X.X' ± Z'			