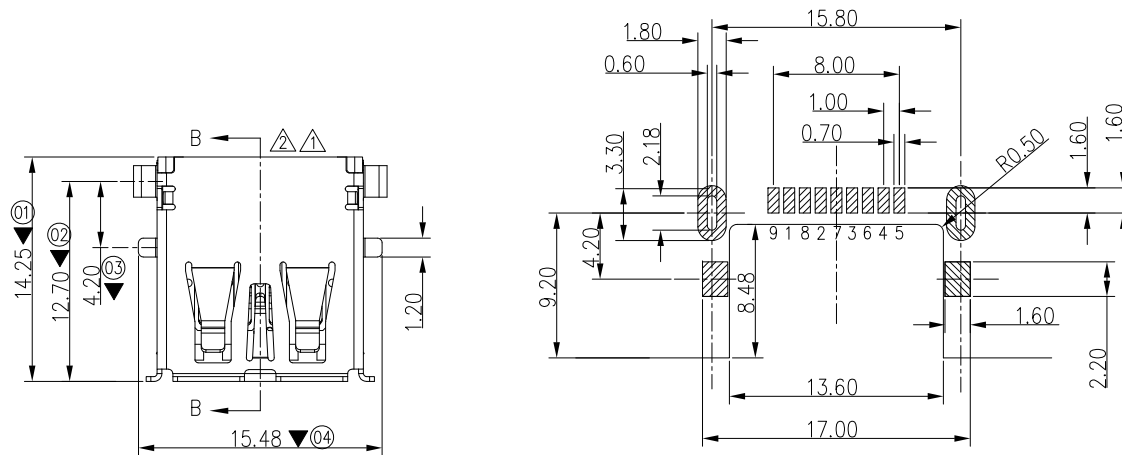


RoHS Compliant

REV.	ECN NO	LTR	DESCRIPTION	REVISER	DATE
A/0			Initial release.	WYH	2016.07.20
A/1		△	依客户要求增加D/C	Geng	2019.01.11
A/2		△	依业务要求取消D/C	JOE	2020.08.10



RECOMMENDED P.C.B
LAYOUT(1.0~1.60±0.05)

NOTE:

1. MATERIAL:

- 1.1 INSULATOR: LCP+30%GF, UL94V-0, COLOR: OPTIONAL
- 1.2 CONTACT 1~4PIN: C5191R/H
- 1.3 CONTACT 5~9PIN: C2680R/H
- 1.4 SHELL: BRASS C2680R/H

2. PLATING:

- 2.1 CONTACT: SELECTIVE GOLD PLATED ON CONTACT AREA 100u" Min. MATTE TIN PLATED ON SOLDER TAIL 50u" Min. NICKEL UNDER-PLATED
- 2.2 SHELL: 50u" Min. NICKEL PLATED OVERALL

3. CHARACTERISTICS:

- 3.1 ELECTRICAL CHARACTERISTICS;
CONTACT RESISTANCE: 30mΩ MAXIMUM
CONTACT CURRENT RATING: 1.5A
DIELECTRIC WITHSTANDING VOLTAGE: 500 V R.M.S.
INSULATION RESISTANCE 1000 MEGOHMS MIN
OPERATING TEMPERATURE: -25°C ~ +85°C
- 3.2 MECHANICAL:
MATING FORCE: 3.57Kg.Max.
UNMATING FORCE: 1.02Kg.Min.

4. DESIGN STANDARD ACCORDING TO USB_3.0 SPECIFICATION.

5. THE DIMENSIONS WITH "▼" MARK ARE CRITICAL AND SHOULD BE CONTROLLED BY QC.

PART NUMBER INFORMATION

31930F-X-H3-X-BN-XX

Hsg.color:

K: Black

B: Blue(300 C)

HF: Halogen Free

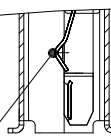
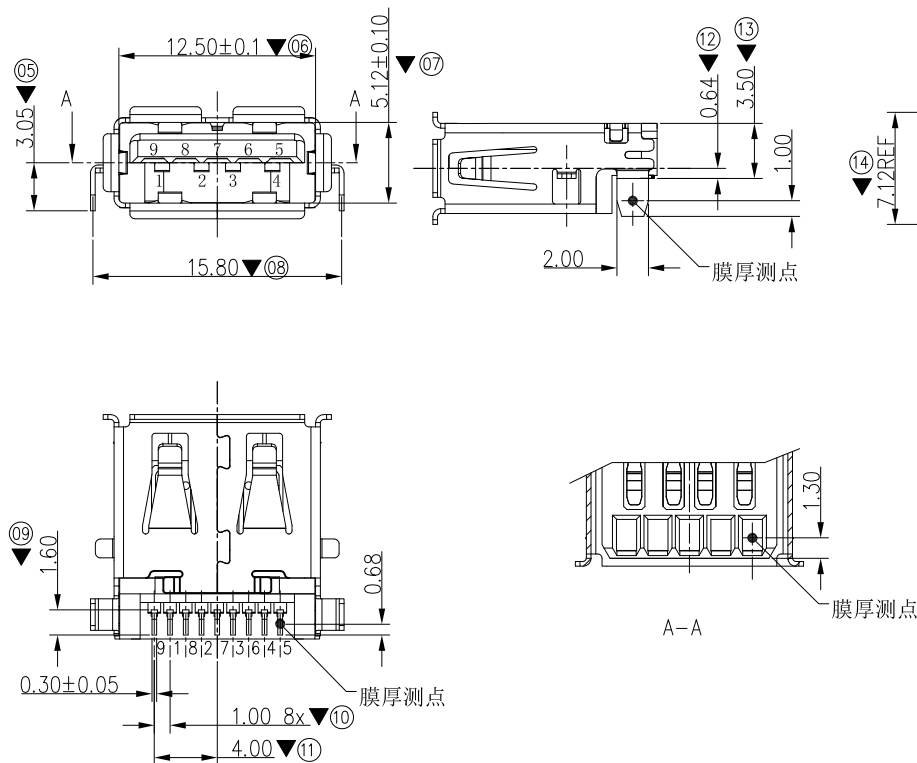
W/O HF: RoHS

Terminal plating:

1: Gold Au 1u" on contact area.

5: Gold Au 15u" on contact area.

6: Gold Au 30u" on contact area.



B-B

膜厚测点,
最高点

图号 (DWG NO)	G-319-S1-215	单位 (UNIT): MM		显赫电子科技有限公司 XianHe Electronic Technology co., Ltd.	
类别 (DWG TYPE)	BRKE DWG	比例 (SCALE) 1:1		TEL:0769-89138899 FAX:0769-89100950	
版次 (REV): A/2	页次 (PAGE): 1/1		品名 (ITEM NO)	USB 3.0 AF 90度沉板式DIP 有卷边 L=14.25mm	
设计 (DESIGN)	WYH	未注公差 TOLERANCE UNSPECIFIED	料号 (PART NO)	Please see P/N information	
审核 (CHECKED)		X.X ± 0.38			
核准 (APPROVED)		X.XX ± 0.20 X.XXX ± 0.10 X' ± 5' X.X' ± 2'			