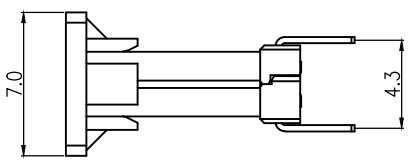
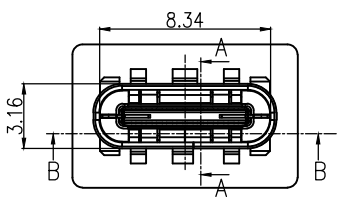
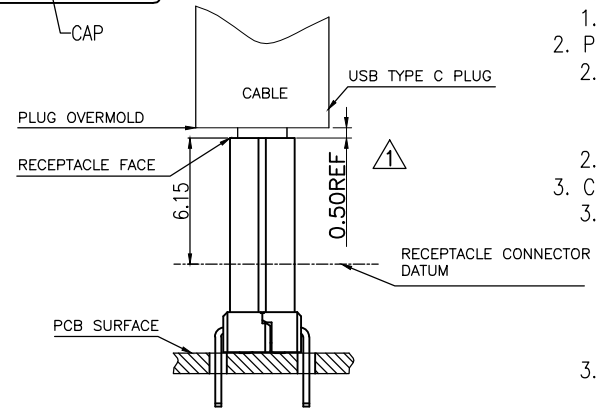
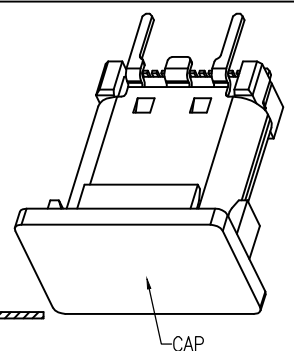
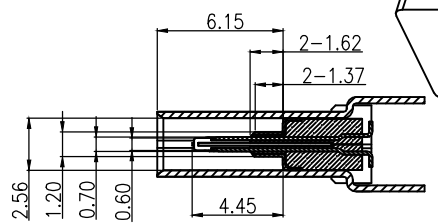
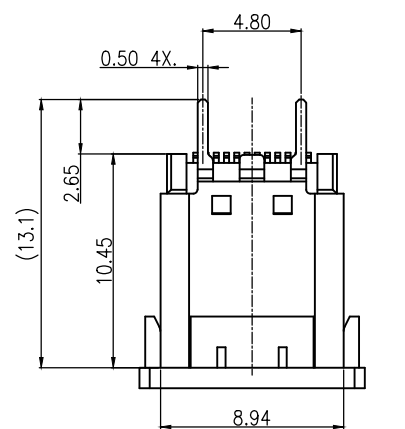
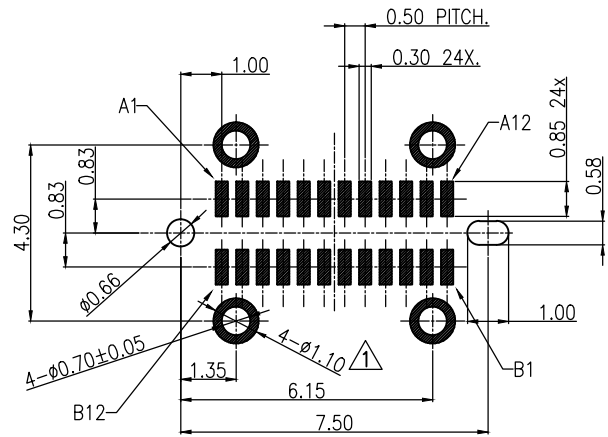
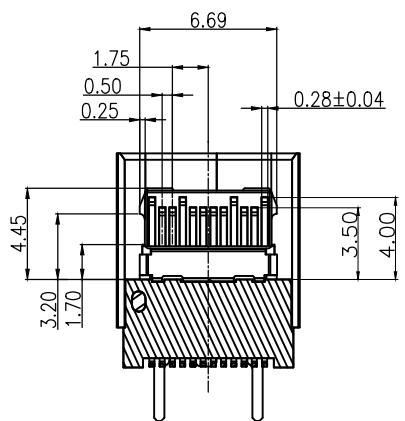
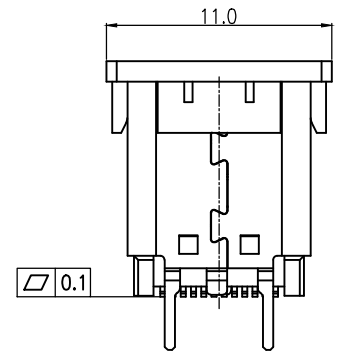


Halogen-Free

REV.	ECN NO	LTR	DESCRIPTION	REVISER	DATE
A/0			Initial release.	ZXW	2015.10.20
A/1		⚠	增加尺寸管控	WB	2020.08.12

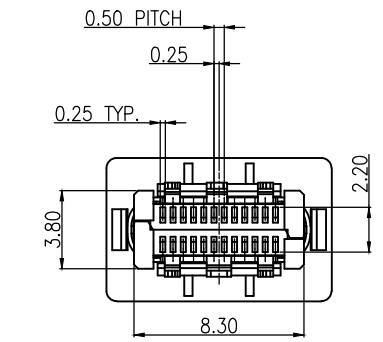


- NOTE:
- MATERIAL:
 - INSULATOR:LCP+30%GF, UL94V-0, COLOR:BLACK
 - CAP:LCP+30%GF, UL94V-0, COLOR:BLACK
 - CONTACT: COPPER ALLOY.
 - SHELL:STAINLESS STEEL.
 - PLATING:
 - CONTACT: SELECTIVE 30U" GOLD PLATED ON CONTACT AREA 100u" Min. MATTE TIN PLATED ON SOLDER TAIL 50u" Min. NICKEL UNDER-PLATED
 - SHELL:50u" Min. NICKEL PLATED OVERALL
 - CHARACTERISTICS:
 - ELECTRICAL CHARACTERISTICS;
 - CONTACT RESISTANCE:30mΩ MAXIMUM
 - CONTACT CURRENT RATING: 5A
 - DIELECTRIC WITHSTANDING VOLTAGE:100 V R.M.S.
 - INSULATION RESISTANCE 100 MEGOHMS MIN
 - OPERATING TEMPERATURE:-25°C ~ +85°C
 - MECHANICAL:
 - MATING FORCE: 5-20N
 - UNMATING FORCE: 8-20N
 - DESIGN STANDARD ACCORDING TO USB C SPECIFICATION.



USB TYPE-C RECEPTACLE INTERFACE PIN ASSIGNMENTS

A1	A2	A3	A4	A5	A6	A7	A8	A9	A10	A11	A12
GND	TX1+	TX1-	Vbus	CC1	D+	D-	SBU1	Vbus	RX2-	RX2+	GND
GND	RX1+	RX1-	Vbus	SBU2	D-	D+	CC2	Vbus	TX2-	TX2+	GND
B12	B11	B10	B9	B8	B7	B6	B5	B4	B3	B2	B1



RECOMMENDED P.C.B. LAYOUT (T=1.00mm)
TOP VIEW, TOLERANCE: ±0.05mm

图号 (DWG NO)	G-319-S1-54	单位 (UNIT):	MM	显赫电子科技有限公司 XianHe Electronic Technology co., Ltd. TEL:0769-89138899 FAX:0769-89100950
类别 (DWG TYPE)	BRKE DWG	比例 (SCALE)	1:1	
版次 (REV):	A/1	页次 (PAGE):	1/1	品名 (ITEM NO) USB C Type receptacle Vertical SMT 料号 (PART NO) 319CFKA36SNHF
设计 (DESIGN)	ZXW	未注公差 TOLERANCE UNSPECIFIED X.X ± 0.38 X.XX ± 0.20 X.XXX ± 0.10 X ± 5° X.X ± Z		
审核 (CHECKED)				
核准 (APPROVED)				