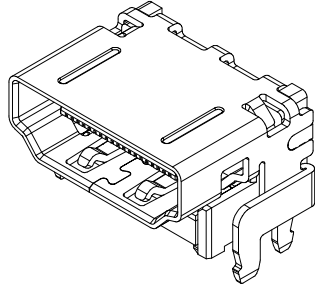
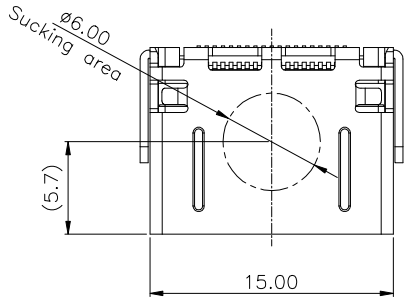
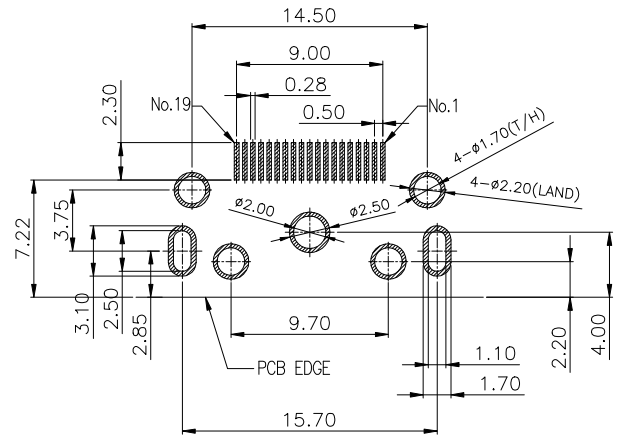


RoHS Compliant

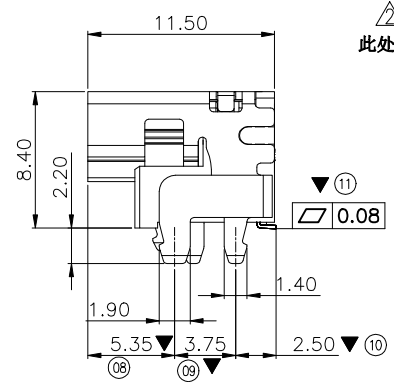
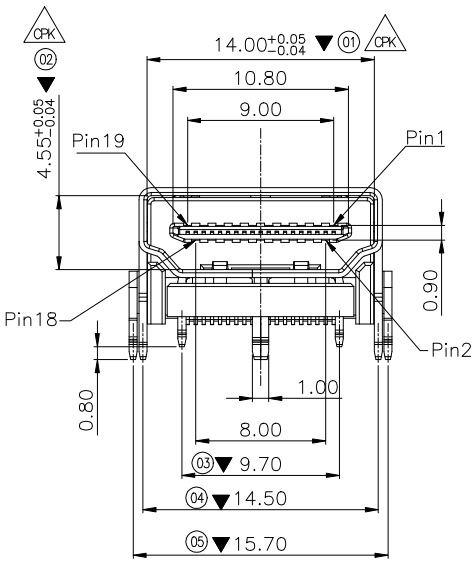
REV.	ECN NO	LTR	DESCRIPTION	REVISER	DATE
A/0			Initial_release.	MICHAEL	2020.11.04
A/1		△	Add bottom cover	MICHAEL	2021.02.26
A/2		△	Molding加胶, 同步更新成品图	MICHAEL	2021.04.01



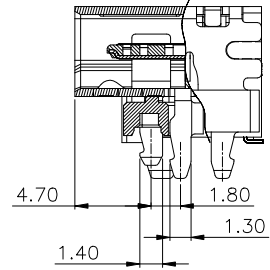
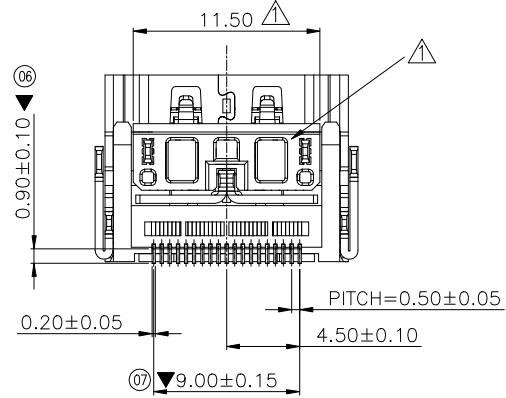
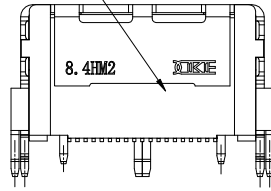
3D VIEW



RECOMMENDED PCB LAYOUT(TOP VIEW) T=1.2  
TOLERANCES UNLESS OTHERWISE SPEC. ±0.05



此处端子不可外露



- NOTES
- MATERIAL:
    - 1.1 TERMINAL: COPPER ALLOY, T=0.20mm;
    - 1.2 HOUSING: HIGH TEMPERATURE THERMAL PLASTIC, UL94V-0, COLOR: BLACK
    - 1.3 SHELL: COPPER ALLOY, T=0.50mm;
    - 1.4 Bottom Cover: HIGH TEMPERATURE THERMAL PLASTIC, UL94V-0, COLOR: BLACK
  - PLATING:
    - 2.1 TERMINAL: Au4u" GOLD PLATED ON CONTACT AREA  
80u" Min. MATTE TIN PLATED ON SOLDER TAIL  
50u" Min. NICKEL UNDER-PLATED
    - 2.2 SHELL: 50u" Min. NICKEL PLATED OVERALL
  - CHARACTERISTICS:
    - 3.1 ELECTRICAL CHARACTERISTICS:  
CONTACT RESISTANCE: 10mΩ MAX  
CONTACT CURRENT RATING: 0.5A  
DIELECTRIC WITHSTANDING VOLTAGE: 500V A.C  
INSULATION RESISTANCE:  
UNMATED: 500V D.C, 100MΩ MIN;  
MATED: 150V D.C, 10MΩ MIN;  
OPERATING TEMPERATURE: -25°C ~ +85°C
    - 3.2 MECHANICAL:  
MATING FORCE: 4.5Kgf. Max.  
UNMATING FORCE: 1.0~4.0Kgf.  
DURABILITY TEST: 10000 CYCLES.
  - THE DIMENSIONS WITH "▼" MARK ARE CRITICAL AND SHOULD BE CONTROLLED BY QC.
  - CONSISTENT WITH RoHS.

图号 (DWG NO)	G-306-S1-520	单位 (UNIT):	MM	<b>显赫电子科技有限公司</b> XianHe Electronic Technology co., Ltd. TEL: 0769-89138899 FAX: 0769-89100950
类别 (DWG TYPE)	SALES DWG	比例 (SCALE):	1:1	
版次 (REV):	A/2	页次 (PAGE):	1/1	
设计 (DESIGN)	MICHAEL	未注公差	TOLERANCE UNSPECIFIED	品名 (ITEM NO)
审核 (CHECKED)		.X.X	± 0.30	HDMI A type rec. 端子SMT 反折式铜壳镀镍 (7支DIP脚) LCP黑色 半金雾锡4u" 垫高型8.4 无卤
核准 (APPROVED)		.X.XX	± 0.20	
		.X.XXX	± 0.10	料号 (PART NO)
		.X	± 2	30619FK3CPOHF