

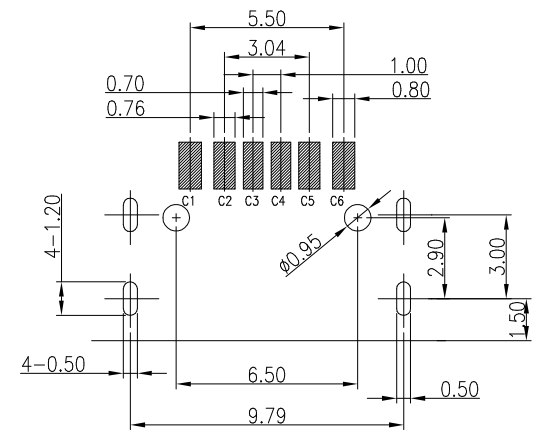
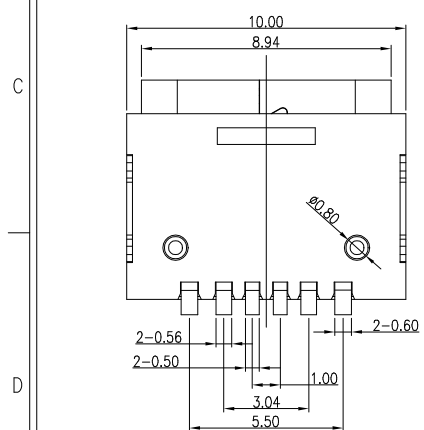
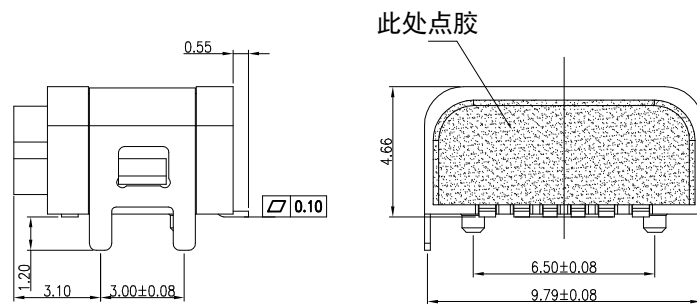
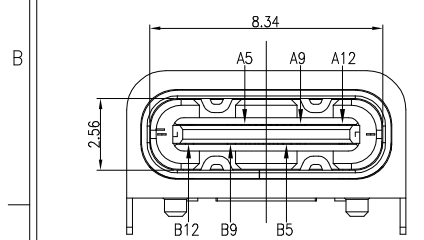
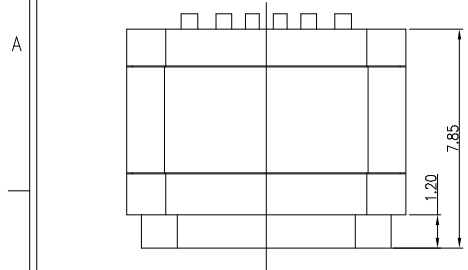
RoHS Compliant

REV.	ECN NO	LTR	DESCRIPTION	REVISER	DATE
A/0			Initial_release.	JN	2022.09.19

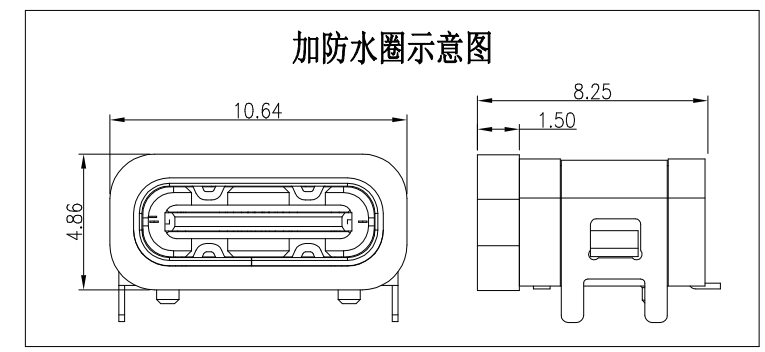
NOTES:

SPECIFICATION:

- CURRENT RATING: 3.0A MAX
- VOLTAGE: 30 VAC
- TEMPERATURE RANGE: -30 °C ~ 85 °C
- CONTACT RESISTANCE: 40 MILLIONHM MAX
- INSULATION RESISTANCE: 100 MEGOHMS MIN.
- INSERTION FORCE : 5N~20N
- UNMATING FORCE: 8N~20N
- DURABILITY: 10,000 CYCLES
- WATER PROOFNESS: THIS PRODUCT IS BASED ON IPX7.
(防水等级IPX7 1.5米深 30分钟)



RECOMMENDED P.C.B. LAYOUT
TOLERANCE UNSPECIFIED ±0.05mm



NO.	DESCRIPTION	MATERIAL	REMARKS	QTY
6	防水圈	硅胶	BLACK	1PCS
5	SHELL	STAINLESS STEEL 304 NI 50U	NI 50U*/MIN Plated	1PCS
4	SHIELDING PLATE	STAINLESS STEEL 301	Plated 清洗	1PCS
3	CONTACT	COPPER ALLOY C7025 AU1U	TIN80U*/Au1U*/NI50* Plated	1SET
2	SHELL HOUSING	HIGH TEMPERATURE PLASTIC	BLACK LCP E130I	1PCS
1	HOUSING	HIGH TEMPERATURE PLASTIC	BLACK LCP E130I	1PCS

图号 (DWG NO)	G-319-S1-XXX	单位 (UNIT):	MM	显赫电子科技有限公司 XianHe Electronic Technology co., ltd.	
类别 (DWG TYPE)	BRKE DWG	比例 (SCALE):	1:1		
版次 (REV):	A/0	页次 (PAGE):	1/1	TEL:0769-89138899 FAX:0769-89100950	
设计 (DESIGN)	JN	未注公差 TOLERANCE UNSPECIFIED	X.X ± 0.38 X.XX ± 0.20 X.XXX ± 0.10 * ± 5' X.* ± 2'	品名 (ITEM NO)	USB C TYPE 母座 SMT式 L=8.35mm 黑色PA9T 半金雾锡G/F 不锈钢外壳镀镍 环保
审核 (CHECKED)		核准 (APPROVED)		料号 (PART NO)	319CFKK9LSN