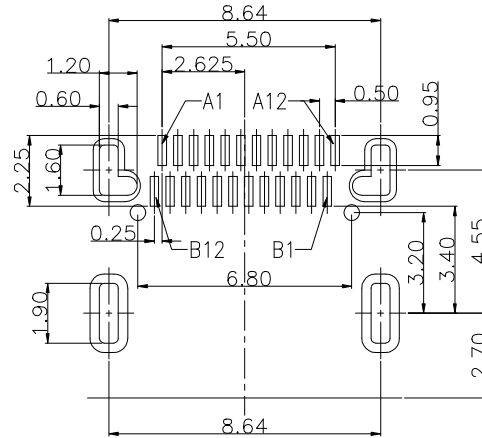
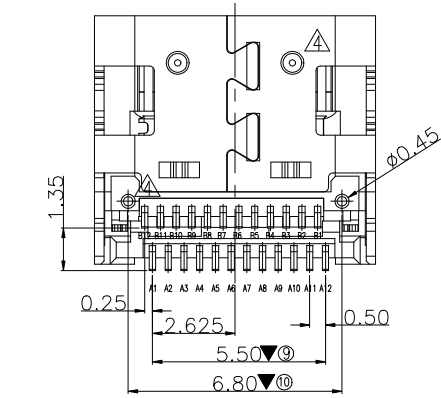
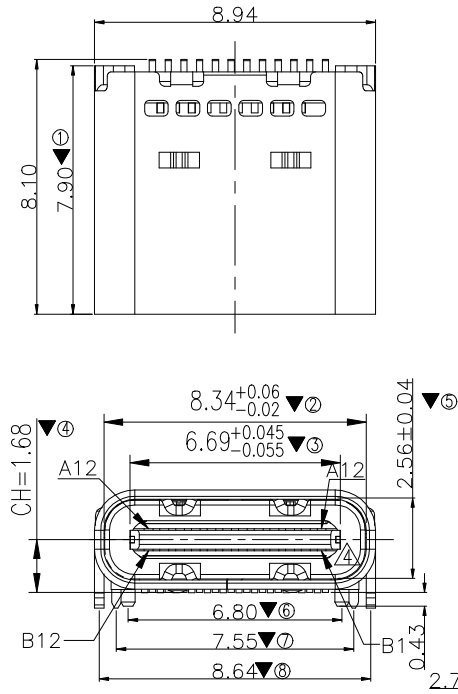
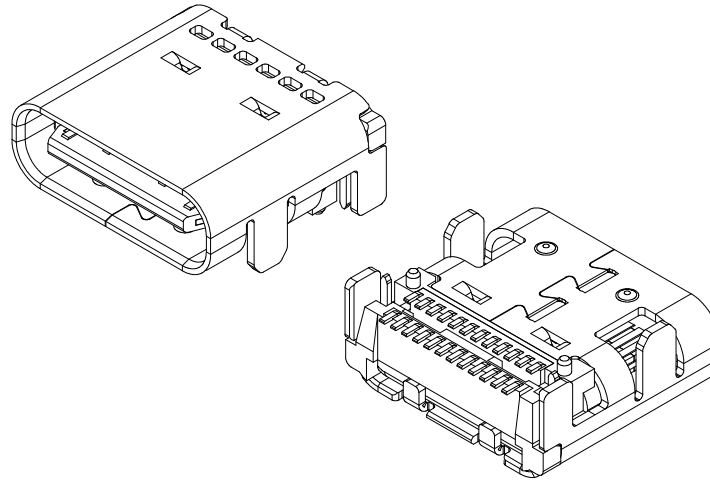


RoHS Compliant



RECOMMENDED P.C.B Dimension
Tolerances: ±0.05mm

REV.	ECN NO	LTR	DESCRIPTION	REVISER	DATE
A/0			Initial release.	ZXW	2016.05.10
A/1		⚠	依客户要求修订尺寸公差	fengling	2016.07.18
A/2		⚠	修改图纸与实物一致	Geng	2021.01.22
A/3		⚠	新修订图面	JN	2021.06.07
A/4		⚠	修改图纸与实物一致	JN	2021.07.27

NOTE:

1. MATERIAL:

- 1.1 INSULATOR: LCP, UL94V-0, COLOR: BLACK
- 1.2 CONTACT: C18400R-H T=0.12MM
- 1.3 SHELL: SUS304, T=0.30MM
- 1.4 EMC: SUS304, T=0.10MM
- 1.5 MIDDLE CLIP: SUS304, T=0.20MM

2. PLATING:

- 2.1 CONTACT: GOLD FLASH PLATING ON CONTACT AREA.
GOLD FLASH PLATING ON SOLDER TAIL.
50u" Min. NICKEL UNDER-PLATED
- 2.2 SHELL: 50u" Min. NICKEL PLATED OVERALL
- 2.3 MIDDLE CLIP: 30u" Min. NICKEL PLATED OVERALL

3. CHARACTERISTICS:

- 3.1 ELECTRICAL CHARACTERISTICS;
CONTACT IMPEDANCE: 40 MILLIOHM MAXIMUM;
DIELECTRIC WITHSTAND VOLTAGE: 100 V DC, ONE MINUTE;
RATED CURRENT: 5A;
CHARACTERISTIC IMPEDANCE: 90 ± 15% OHM.
- 3.2 MECHANICAL:
MATING FORCE: 5~20N
UNMATING FORCE: 8~20N.AFTER DURABILITY: 6~20N
DURABILITY TEST: 10000 CYCLES.

A1	GND	B12	GND
A2	SSTXP1	B11	SSRXP1
A3	SSTXN1	B10	SSRXN1
A4	VBUS	B9	VBUS
A5	CC1	B8	SBU2
A6	DP1	B7	DN2
A7	DN1	B6	DP2
A8	SBU1	B5	CC2
A9	VBUS	B4	VBUS
A10	SSRXN2	B3	SSTXN2
A11	SSRXP2	B2	SSTXP2
A12	GND	B1	GND
PIN	SIGNAL NAME	PIN	SIGNAL NAME

图号 (DWG NO)	G-319-S1-150	单位 (UNIT):	MM	显赫电子科技有限公司 XianHe Electronic Technology co., Ltd.	
类别 (DWG TYPE)	BRKE DWG	比例 (SCALE):	1:1		
版次 (REV):	A/4	页次 (PAGE):	1/1	TEL: 0769-89138899 FAX: 0769-89100950	
设计 (DESIGN)	JN	未注公差 TOLERANCE UNSPECIFIED	.X.X ± 0.38 .X.XX ± 0.20 .X.XXX ± 0.10 ' ± 5° 'X' ± 2°	品名 (ITEM NO)	USB C TYPE母头 R/A 两排SMT, L=7.9MM 四脚 DIP有柱, 黑色全金G/F 环保
审核 (CHECKED)		料号 (PART NO)	319CFKA71SN		
核准 (APPROVED)					