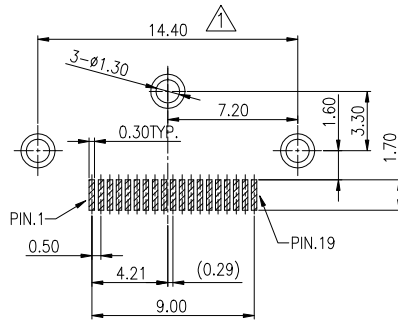
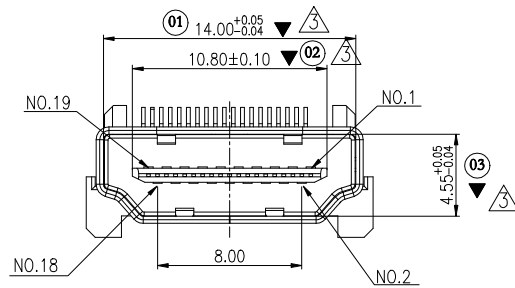
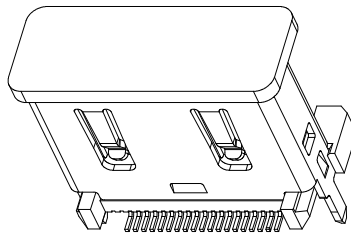
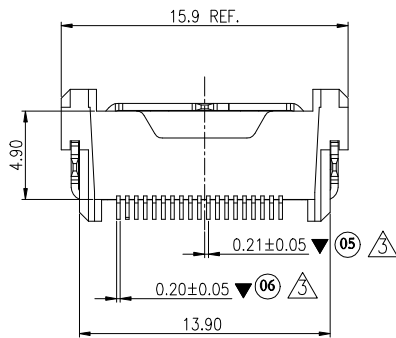
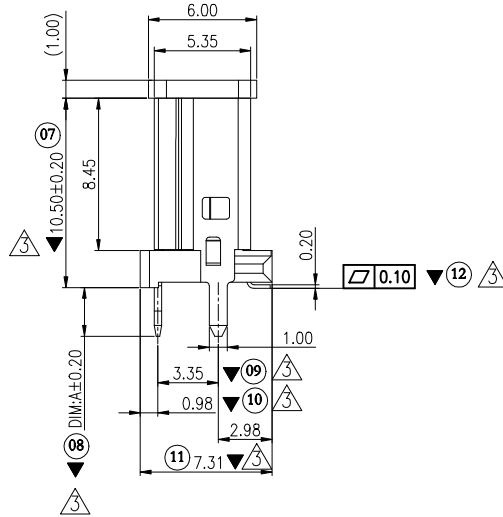
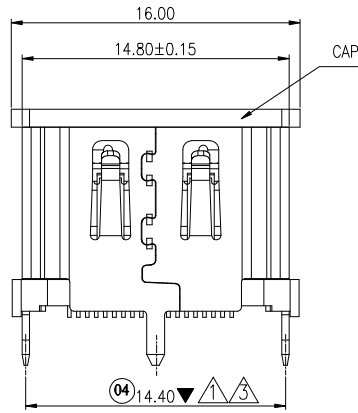


RoHS Compliant



RECOMMENDED PCB LAYOUT
TOP VIEW, TOLERANCE:±0.05



REV.	ECN NO	LTR	DESCRIPTION	REVISER	DATE
A/0			Initial release.	Mac	2017.08.04
A/1		△	Cha 14.5 to 14.4 in footprint, Add 14.4	Mac	2019.10.07
A/2		△	Add Part No.	Michael	2020.11.05
A/3		△	Add CRITICAL DIMENSIONS	Michael	2020.11.13
A/4		△	Cha OPERATING TEMPERATURE	HXM	2023.04.26

NOTE:

1. MATERIAL:

- 1.1 INSULATOR:LCP+30%GF, UL94V-0, COLOR:BLACK
- 1.2 CAP:LCP+30%GF, UL94V-0, COLOR:BLACK
- 1.3 CONTACT: C2680R/H
- 1.4 SHELL:BRASS

2. PLATING:

- 2.1 CONTACT: SELECTIVE GOLD PLATED ON CONTACT AREA 100u" Min. MATTE TIN PLATED ON SOLDER TAIL 50u" Min. NICKEL UNDER-PLATED
- 2.2 SHELL:50u" Min. NICKEL PLATED OVERALL

3. CHARACTERISTICS:

- 3.1 ELECTRICAL CHARACTERISTICS;
CONTACT RESISTANCE:30mΩ MAXIMUM
CONTACT CURRENT RATING:0.5A
DIELECTRIC WITHSTANDING VOLTAGE:500 V R.M.S.
INSULATION RESISTANCE 100 MEGOHMS MIN

△ OPERATING TEMPERATURE:-40°C ~ +85°C

3.2 MECHANICAL:

- MATING FORCE:4.5Kgf MAX.
- UNMATING FORCE:1.0~4.0 Kgf

△ 4. THE DIMENSIONS WITH "▼" MARK ARE CRITICAL AND SHOULD BE CONTROLLED BY QC.

PART NUMBER INFORMATION

30619FK-X-C-XX-HF

Terminal plating:

1: Gold 1u" on contact area.

4: Gold 15u" on contact area.

6: Gold 30u" on contact area.

△ A: Gold 1u" Min on contact area.

REV

A6: DIM:A=0.9MM


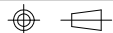
F5: DIM:A=1.2MM

B4: DIM:A=1.9MM

C6: DIM:A=2.7MM

B7: DIM:A=3.2MM

HF: Halogen Free
BLANK: RoHS

图号 (DWG NO)	G-306-S1-500	单位 (UNIT): MM	 显赫电子科技有限公司 XianHe Electronic Technology co., ltd.
类别 (DWG TYPE)	SALES DWG	比例 (SCALE) 1:1	
版次 (REV): A/4	页次 (PAGE): 1/1		TEL:0769-89138899 FAX:0769-89100950
设计 (DESIGN)	Nelson	未注公差 TOLERANCE UNSPECIFIED	品名 (ITEM NO) HDMI A TYPE REC. VERTICAL SMT WITH CAP
审核 (CHECKED)		.X.X ± 0.38 .X.XX ± 0.20 .X.XXX ± 0.10 * ± 5" X.X' ± 2"	料号 (PART NO) Please see P/N information
核准 (APPROVED)			