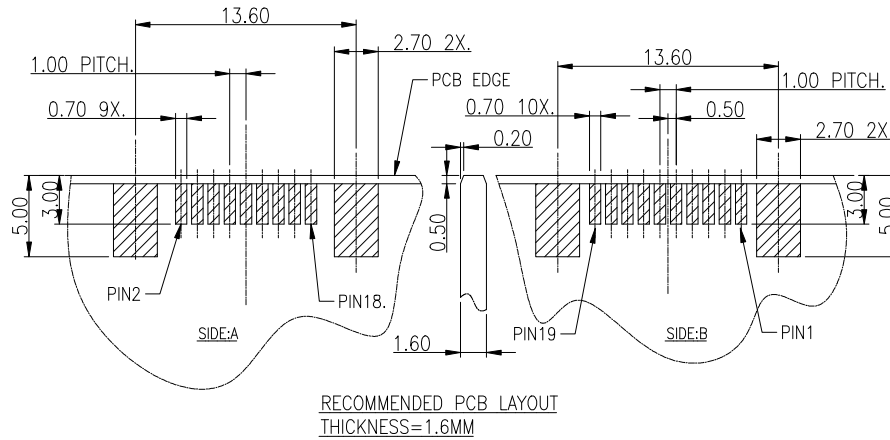
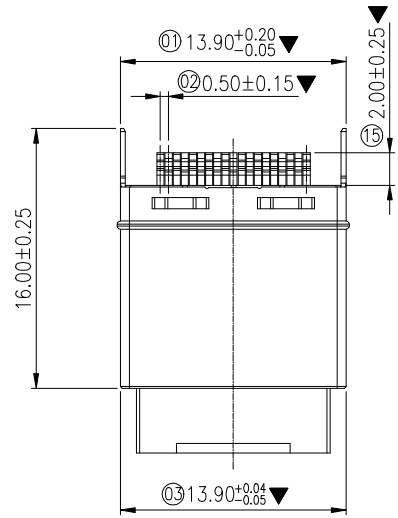


RoHS Compliant

REV.	ECN NO	LTR	DESCRIPTION	REVISER	DATE
A/0			Initial release.	Joe.peng	2020.09.07
A/1		△	增加尺寸定义	HXM	2021.12.13
A/2		△	修正5号尺寸，由1.01mm更改为1.00mm	HXM	2021.12.27



NOTE:

1. MATERIAL:

- 1.1 INSULATOR:LCP E130i, COLOR:BLACK
- 1.2 CONTACT: BRONZE C5191R/H,
- 1.3 SHELL:SPCC

2. PLATING:

- 2.1 CONTACT: SELECTIVE GOLD PLATED ON CONTACT AREA 100u" Min. MATTE TIN PLATED ON SOLDER TAIL 80u" Min. NICKEL UNDER-PLATED
- 2.2 SHELL:GOLD FLASH PLATED OVERALL SALT SPRAY:48H

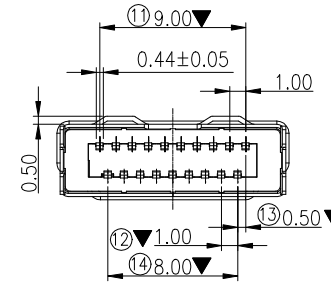
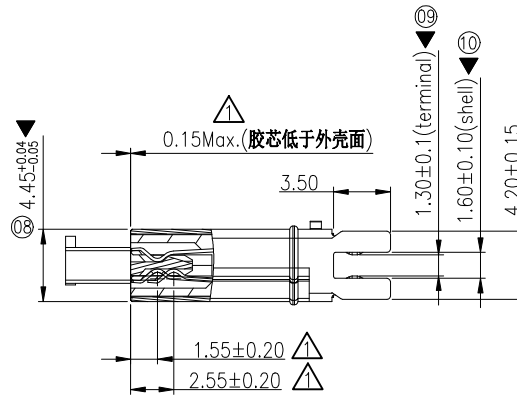
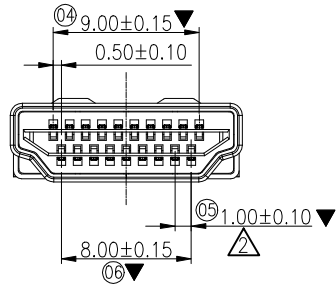
3. CHARACTERISTICS:

- 3.1 ELECTRICAL CHARACTERISTICS;
CONTACT RESISTANCE:30mΩ MAXIMUM
CONTACT CURRENT RATING:0.5A
DIELECTRIC WITHSTANDING VOLTAGE:500 V AC
INSULATION RESISTANCE 100 MEGOHMS MIN
OPERATING TEMPERATURE:-25°C ~ +85°C

3.2 MECHANICAL:

- MATING FORCE: 4.5Kg.Max.
- UNMATING FORCE: 1.0-4.0Kg.Min.
- DURABILITY TEST: 5000 CYCLES.

4. THE DIMENSIONS WITH "▼" MARK ARE CRITICAL AND SHOULD BE CONTROLLED BY QC.



PART NUMBER INFORMATION

30619M-K-X-B-E6

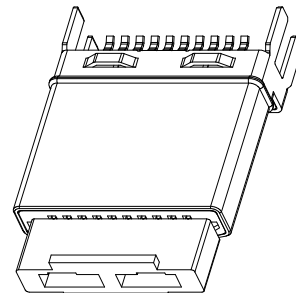
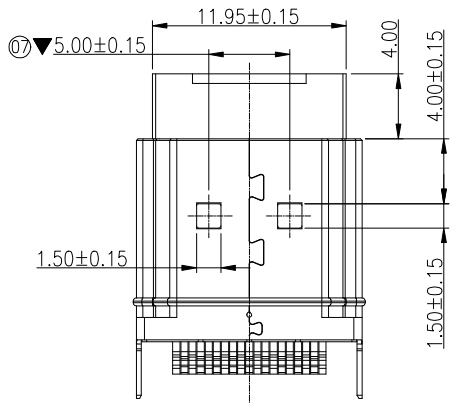
Hsg.color:


K:Black

REV

Terminal plating:

- 1: Gold flash
- 5: Gold 15u" on contact area.
- 6: Gold 30u" on contact area.



图号 (DWG NO)	G-306-S1-521	单位 (UNIT):	MM	 显赫电子科技有限公司 XianHe Electronic Technology co., Ltd.
类别 (DWG TYPE)	SALES DWG	比例 (SCALE):	1:1	
版次 (REV):	A/2	页次 (PAGE):	1/1	TEL:0769-89138899 FAX:0769-89100950
设计 (DESIGN)	Joe.peng	未注公差	TOLERANCE UNSPECIFIED	品名 (ITEM NO)
审核 (CHECKED)		.X.X ± 0.38	.X.XX ± 0.20	
核准 (APPROVED)		.X.XXX ± 0.10	" ± 5°	料号 (PART NO)
		.X.X ± 0.10	" ± 2°	
				HDMI 2.1 A/M 夹板式公头 带塞子, 外壳有凸包规格 夹板厚度T=1.6mm, K脚DIP=2.0MM, 环保
				30619MKXBE6