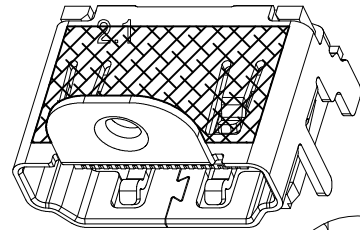
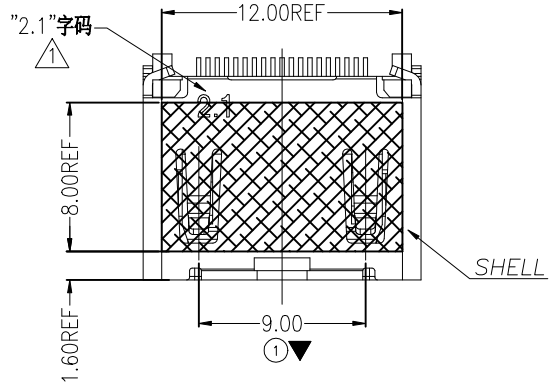
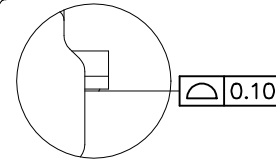


RoHS Compliant

REV.	ECN NO	LTR	DESCRIPTION	REVISER	DATE
A/0			Initial release.	Geng	2019.06.14
A/1	2022032501	▲	外壳增加“2.1”字码	HXM	2022.03.25

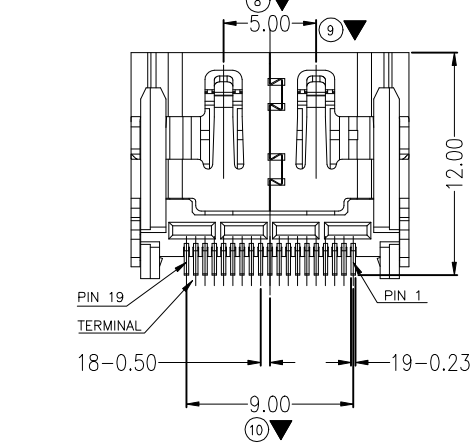
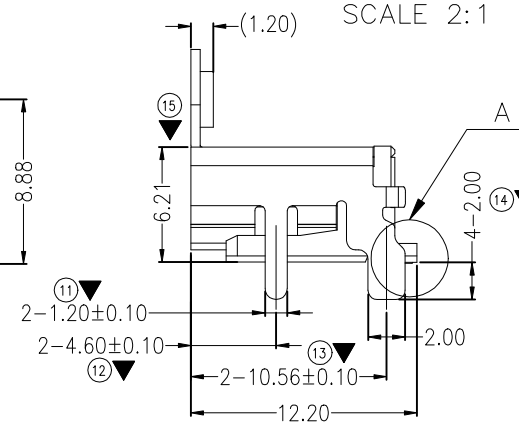
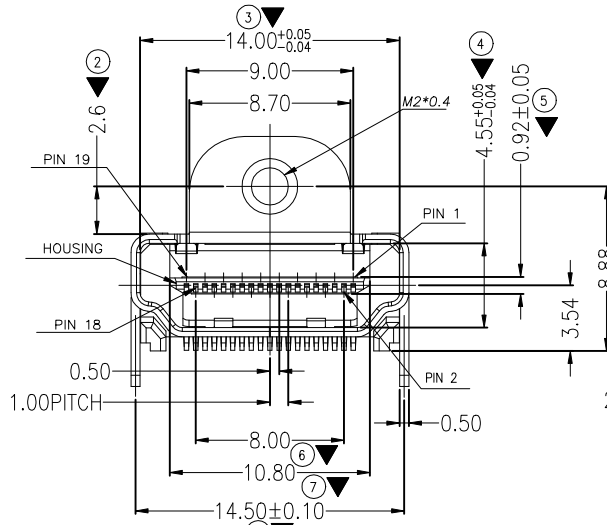


3D VIEW



VIEW: A
SCALE 2:1

- NOTES:
- MATERIAL:
INSULATOR: LCP+30%GF, UL94V-0, COLOR:BLACK
SHELL: C2680-H ,T=0.50
CONTACT: C2680R/H T=0.20MM
FINISH:
SHELL: NICKEL PLATED
CONTACT: GOLD PLATED ON CONTACT AREA
AND TIN PLATED ON SOLDER TAIL.
 - MECHANICAL CHARACTERISTICS:
3.1 INSERTION FORCE : 4.5KGF MAX.
3.2 WITHDRAWAL FORCE : 0.5~4.0 KGF
 - LIFE TEST: 5,000 CYCLES.
 - PART MUST BE RoHS COMPLIANT AND MUST BE COMPLIANT TO NTK SPECIFICATION: NTK-B-WI-PGB-0084.
 - THE DIMENSIONS WITH "▼" MARK ARE CRITICAL AND SHOULD BE CONTROLLED BY QC.



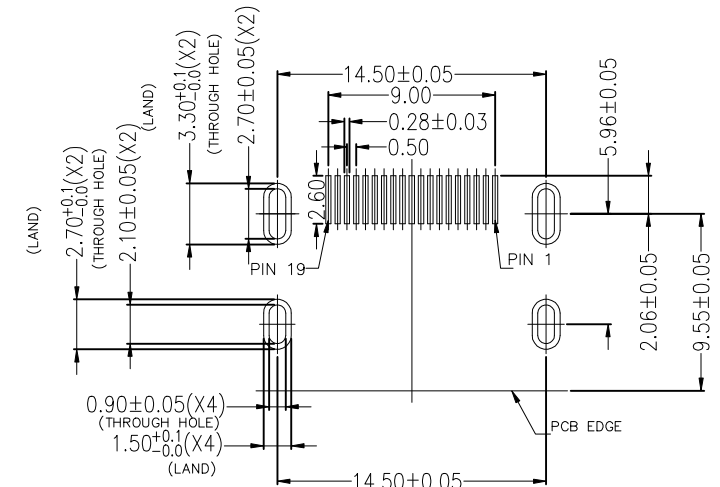
PART NUMBER INFORMATION

30619FK-X-C-J7-HF

Terminal plating:
1: Gold 1u"
5: Gold 15u"
6: Gold 30u"

HF: Halogen Free
BLANK: RoHS

REV



RECOMMENDED PCB LAYOUT(TOP VIEW)
(THICKNESS=1.4±0.10mm)
(TOLERANCE=±0.03mm)

图号 (DWG NO)	G-306-S1-507	单位 (UNIT): MM
类别 (DWG TYPE)	SALES DWG	比例 (SCALE): 1:1
版次 (REV): A/1	页次 (PAGE): 1/1	未注公差 TOLERANCE UNSPECIFIED
设计 (DESIGN)	Geng	.X.X ± 0.38
审核 (CHECKED)		.X.XX ± 0.20
核准 (APPROVED)		.X.XXX ± 0.10
		" ± 5'
		"X" ± 2'

显赫电子科技有限公司
XianHe Electronic Technology co., Ltd.

TEL:0769-89138899 FAX:0769-89100950

品名 (ITEM NO) HDMI A type rec 外壳DIP式SMT 90度, 带法兰, 牙孔高H=2.6mm, 牙孔M2*0.4, 铜壳镀锌, 半金身锡 L=12.2mm, 无Logo, 贴膜拉, 袋带包装

料号 (PART NO) 30619FKXCJ7HF