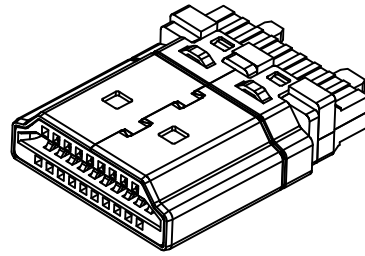
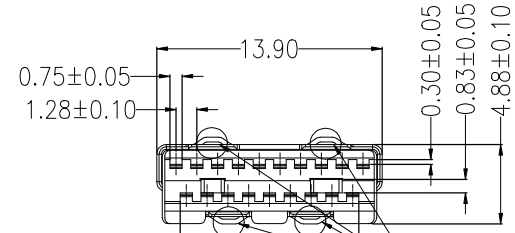
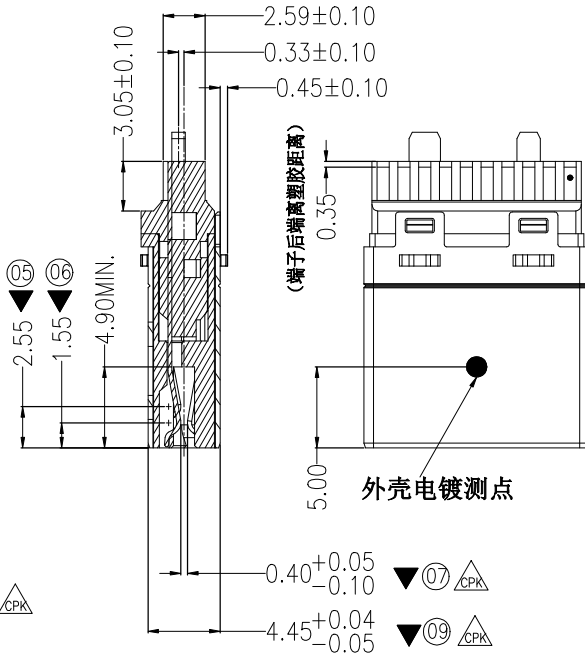
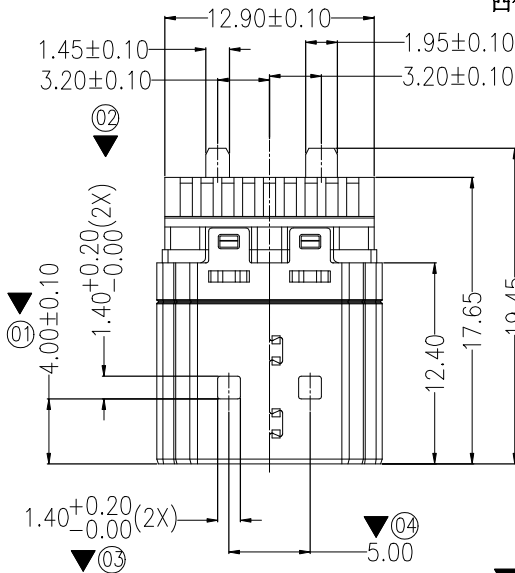


RoHS Compliant

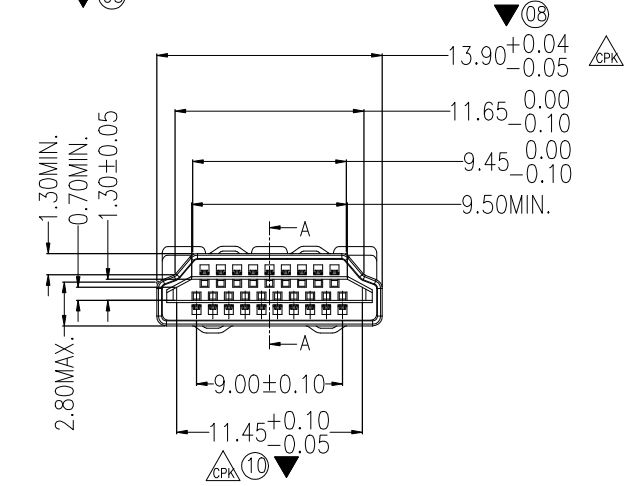
REV.	ECN NO	LTR	DESCRIPTION	REVISER	DATE
A/0			Initial release.	Michael	2020.12.21



重点: 此凸包需要通孔  
凸包毛边0.15 MAX.



截面 A-A



NOTE:

1. MATERIAL:

- 1.1 INSULATOR : LCP+30%GF, UL94V-0, COLOR:BLACK
- 1.2 HOUSING : LCP+30%GF, UL94V-0, COLOR:BLACK
- 1.3 CONTACT : C5191R/H T=0.25MM,
- 1.5 SHELL :SPCC T=0.30MM

2. PLATING:

- 2.1 CONTACT: 3u" MIN. GOLD PLATED ON CONTACT AREA  
100u" MIN. MATTE TIN PLATED ON SOLDER TAIL  
50u" MIN. NICKEL UNDER-PLATED
- 2.2 SHELL: 80u"MIN. Cu UNDER PLATED OVERALL  
80u" MIN. NICKEL PLATED OVERALL  
Au G/F PLATED ON THE SURFACE OVERALL

3. CHARACTERISTICS:

- 3.1 ELECTRICAL CHARACTERISTICS;  
INITIAL CONTACT RESISTANCE: 30mΩ MAX.  
CONTACT CURRENT RATING:0.5A  
DIELECTRIC WITHSTANDING VOLTAGE:500 V R.M.S.  
INSULATION RESISTANCE 100 MΩ MIN
- 3.2 MECHANICAL:  
DURABILITY:10000 CYCLES (100±50 CYCLES/HOUR)  
MATING FORCE: 44.1N MAX.(4.5Kgf MAX.)  
UNMATING FORCE: 9.8~39.2N (1.0~4.0Kgf)  
DURABILITY AFTER TEST:CONTACT RESISTANCE(PER PIN)  
CHANGE FROM INITIAL VALUE:30mΩ MAX.,MATING&UNMATING  
FORCE MEET THE REQUEST,NO DISTORTION,SPLIT,CURLING ETC.  
APPEARANCE DEFECT
- 5. THE DIMENSIONS WITH "▼" MARK ARE CRITICAL  
AND SHOULD BE CONTROLLED BY QC.
- 6. THE DIMENSIONS WITH "△CPK" MUST BE PRODUCED WITH  
STATISTIC TOLERANCE PROCESS CONTROLS
- 7. SALT SPRAY TEST TIME:24H MIN.

图号 (DWG NO)	G-306-S1-522	单位 (UNIT): MM	<b>显赫电子科技有限公司</b> XianHe Electronic Technology co., Ltd.
类别 (DWG TYPE)	SALES DWG	比例 (SCALE): 1:1	
版次 (REV): A/0	页次 (PAGE): 1/1		TEL:0769-89138899 FAX:0769-89100950
设计 (DESIGN)	Michael	未注公差 TOLERANCE UNSPECIFIED	品名 (ITEM NO) HDMI A M 19Pin 焊线式 半金雾锡足3U" LCP黑色 铁壳镀金G/F (凸包高度0.45) Tray包装, 环保
审核 (CHECKED)		.X.X ± 0.38 .X.XX ± 0.20 .X.XXX ± 0.10 ° ± 5° X.X' ± 2'	
核准 (APPROVED)			30619MKBBE9