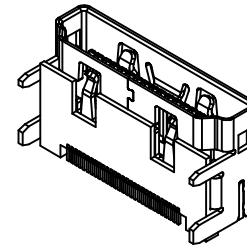
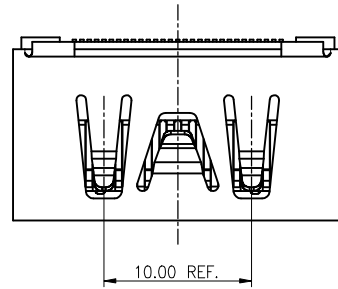


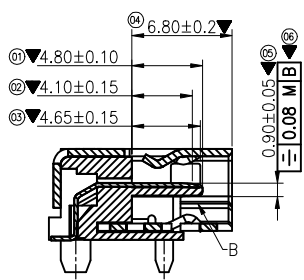
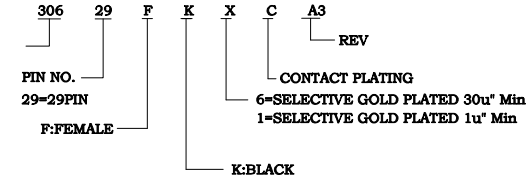
RoHS Compliant

REV.	ECN NO	LTR	DESCRIPTION	REVISER	DATE
A/0			Initial_release.	KEN	2014.10.06

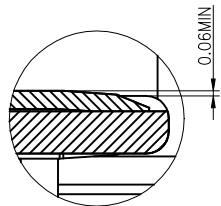
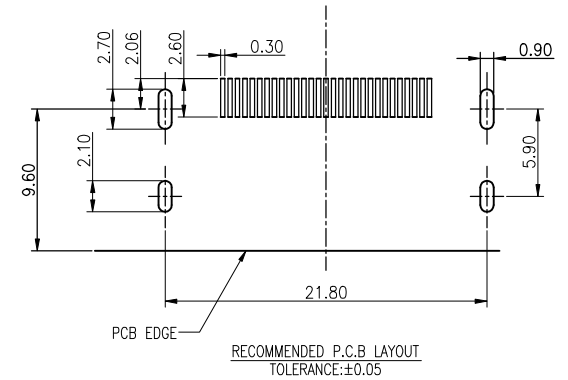
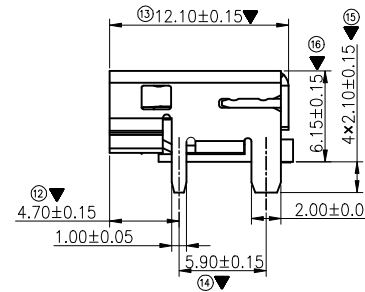
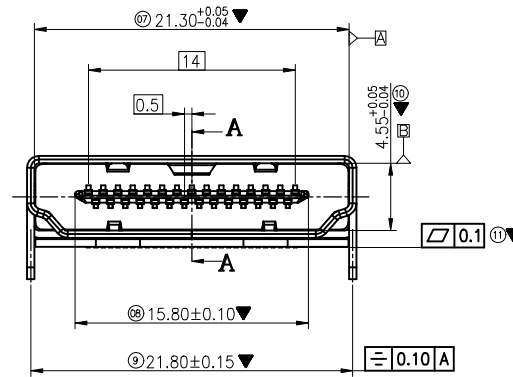


3D VIEW

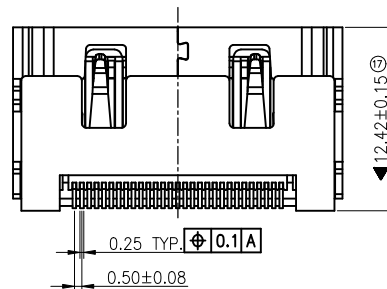
- MATERIALS:  
HOUSING:LCP E130I, BLACK, UL94V-0  
CONTACTS: PHOSPHOR BRONZE C5191-H  
SHELL: BRASS C2680-H
- PLATING:  
SHELL: 50u" Min NICKEL PLATING OVERALL.  
CONTACT: SELECTIVE GOLD PLATING OVER NICKEL IN CONTACT,  
50u" Min. NICKEL PLATING OVERALL  
100u" Min. TIN ON SOLDER AREA
- RoHS COMPLIANT
- THE DIMENSIONS WITH "▼" MARK ARE CRITICAL, AND SHOULD BE CONTROLLED BY QC.
- HOW TO ORDER



SECTION: A-A



DETAIL B  
SCALE 5:1



图号 (DWG NO)	G-306-S1-401	单位 (UNIT): MM	<b>显赫电子科技有限公司</b> XianHe Electronic Technology co., Ltd.
类别 (DWG TYPE)	SALES DWG	比例 (SCALE) 1:1	
版次 (REV): A/0	页次 (PAGE): 1/1		TEL:0769-89138899 FAX:0769-89100950
设计 (DESIGN)	KEN	未注公差 TOLERANCE UNSPECIFIED	品名 (ITEM NO)
审核 (CHECKED)		.X.X ± 0.38 .X.XX ± 0.20 .X.XXX ± 0.10 ' ± 5" 'X' ± 2"	HDMI B type Receptacle SMT Without Flange Shell T/H Option
核准 (APPROVED)			料号 (PART NO)
			30629FKXA3