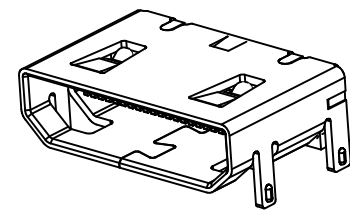
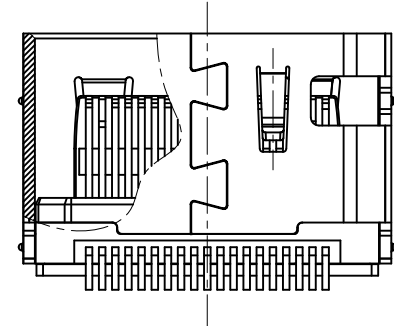
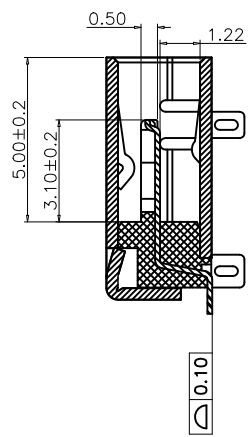
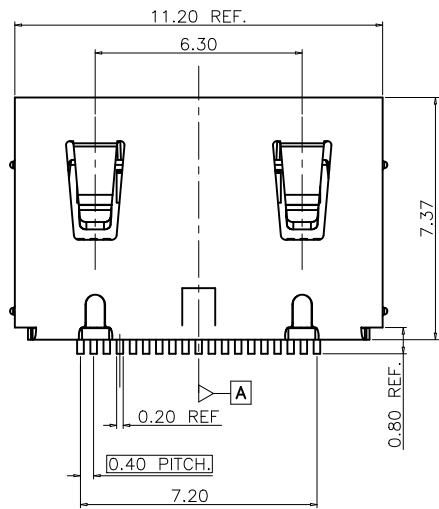
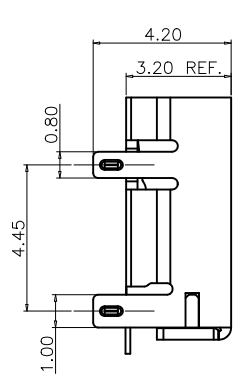
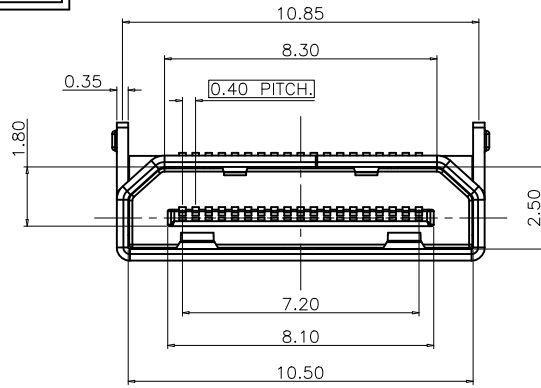


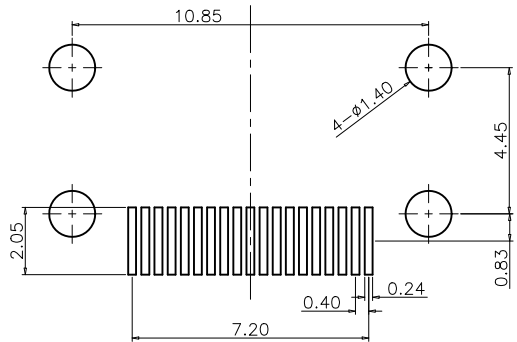
RoHS Compliant

REV.	ECN NO	LTR	DESCRIPTION	REVISER	DATE
A/0			Initial release.	Andrey	2013/10/5



NOTES:

- MATERIALS:
HOUSING: LCP+30%GLASS FILLED, COLOR:BLACK, UL94V-0
CONTACTS: PHOSPHOR BRONZE C5191R/H
SHELL: BRASS C2680R/H
- PLATING:
SHELL: 80u" Min NICKEL PLATING OVERALL.
CONTACT: SELECTIVE GOLD PLATED OVER NICKEL IN CONTACT,
GOLD FLASH PLATED AT SOLDER TAILS.
80u" NICKEL UNDER-PLATED OVERALL



RECOMMENDED PCB LAYOUT
TOP VIEW, TOL:±0.05MM

30u"Min.Gold on contact area.	30619MK8CA0
15u"Min.Gold on contact area.	30619MK7CA0
3u"Min.Gold on contact area.	30619MK9CA0
Description	Part No.

图号 (DWG NO)	G-306-S1-16	单位 (UNIT):	MM
类别 (DWG TYPE)	SALES DWG	比例 (SCALE)	1:1
版次 (REV):	A/0	页次 (PAGE):	1/1
设计 (DESIGN)	Andrey	未注公差	TOLERANCE UNSPECIFIED
审核 (CHECKED)		X.X	± 0.38
核准 (APPROVED)		X.XX	± 0.20
		X.XXX	± 0.10
		X"	± 5°
		X.X"	± Z

显赫电子科技有限公司
XianHe Electronic Technology co., ltd.
TEL:0769-89138899 FAX:0769-89100950

品名 (ITEM NO)	MiniHDMI receptacle.SMT
料号 (PART NO)	Please see P/N information