

RoHS Compliant

REV.	ECN NO	LTR	DESCRIPTION	REVISER	DATE
A/1	07112601	△	PCB加长加定位孔。	Lujirong	11/26/07

NOTES:

- MATERIALS:
HOUSING:THERM-PLASTIC+30%GLASS FILLED, BLACK, UL94V-0
TERMINAL: COPPER ALLOY.
SHELL: COPPER ALLOY
- PLATING:
SHELL: 80u" Min NICKEL PLATING OVERALL.
TERMINAL:GOLD PLATTING THICKNESS SEE "HOW TO ORDER"
OVER NICKEL IN CONTACT,80u" Min.NICKEL PLATING OVERALL
- RoHS COMPLIANT
- DIMENSIONS MARKED ▽ MUST BE CONTROLLED IN QIP.

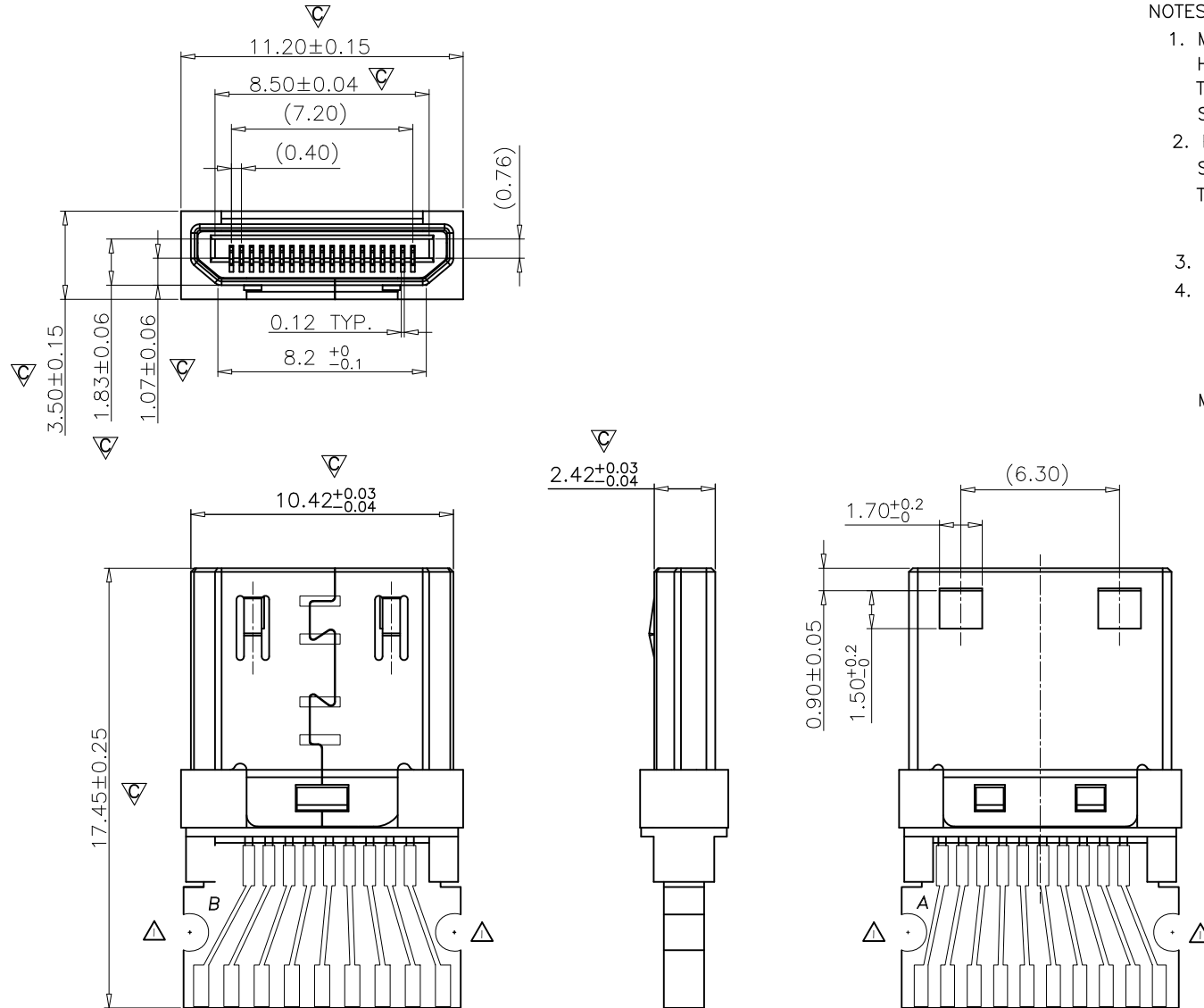
5. HOW TO ORDER


306-19-F-K-X-X-A0

MINI-HDMI ————
19 PIN. ————
PLUG ————
HOUSING COLOR. ————
—K:BLACK

REV. ————
SHELL PLATING ————
—C:NI PLATING.
—B:GOLD PLATING

CONTACT PLATING ————
—5:SELECTIVE GOLD PLATED 15u"
—6:SELECTIVE GOLD PLATED 30u"



图号(DWG NO)		单位(UNIT):	MM	 深圳显赫科技有限公司 ShenZhen XianHe Technological co.,ltd.	
模号(MODEL NO)		比例(SCALE)	1:1		
版次(REV):	A/0	页次(PAGE):	1/1	TEL:0755-27536828 FAX:0755-27536522	
设计(DESIGN)	Lujirong	未注公差	TOLERANCE UNSPECIFIED	品名(ITEM NO)	MINI HDMI PLUG SOLDER with pcb
审核(CHECKED)	Mac 11/26/07	X.X ± 0.30	X.XX ± 0.20		料号(PART NO)
核准(APPROVED)		X.XXX ± 0.05	X° ± 5°		
		X.X° ± 2°			