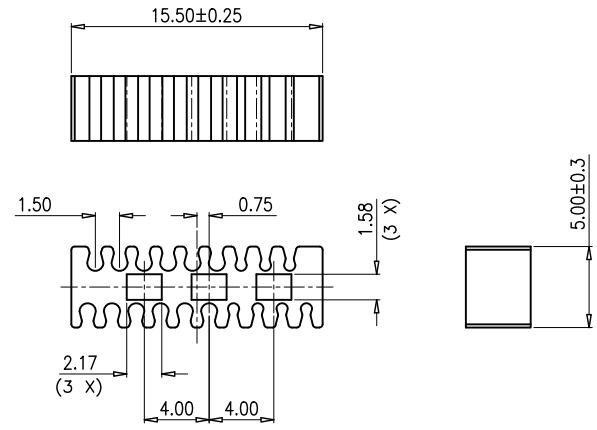
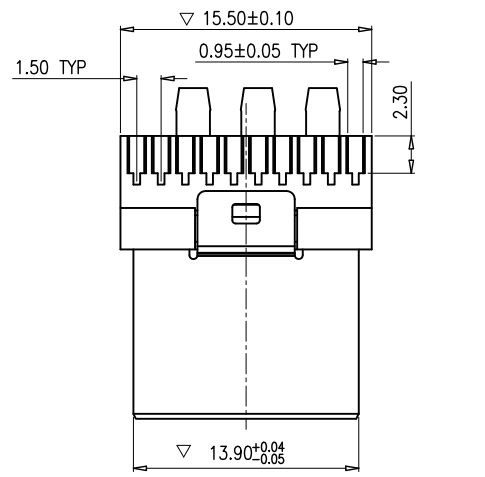
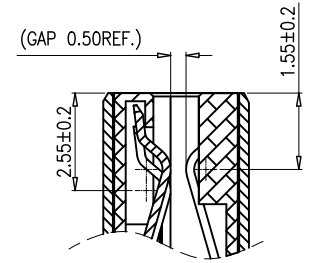
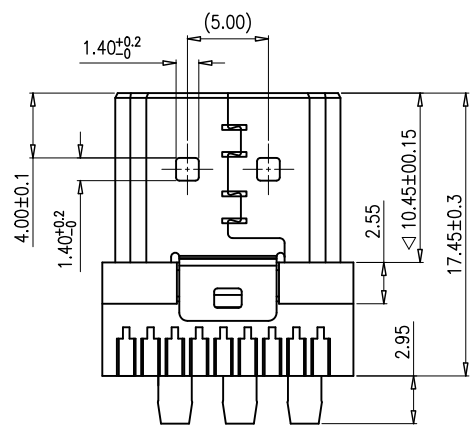
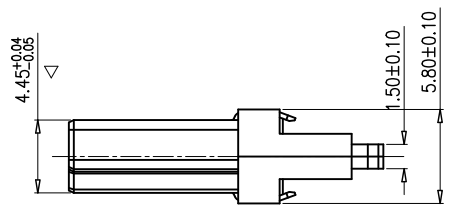
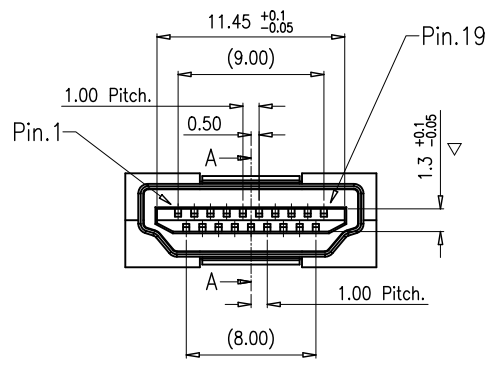


RoHS Compliant

REV.	ECN NO	LTR	DESCRIPTION	REVISER	DATE



排线架 P/N:1041419FKH005



Section: A-A
Scale: 2/1

Notes:

1.Materials:

- Housing: LCP, 30%G/F, Black, UL94V-0.
- Shell: Brass C2680R-H(plating:100u"Min Nickel or 1u" Au plating on overall surface.) or SPCC-SD(plating:100u"Min Nickel or 1u" Au plating on overall surface,60u"Min Cu plating on base.)
- Terminal: Bronze C5191-H T=0.25mm.
plating:selective plating gold 15u" or 30u" on contact area.
Sn 100u"Min.on solder tail. 30u" Min
Nickel plating on base

2.Test Item:

- Dielectric Strength: Mated connectors, apply 500Volts AC No Breakdown
- Insulation Resistance: Mated connectors,apply 500Volts DC 100megaohms minimum
- Contact Resistance: 30 milliohms maximum
- Insertion Force: 25mm/minute 4.0kgf maximum
- Withdrawal Force: 25mm/minute 1.0kgf minimum

3.Dimension marked "▽" must be controlled in QIP.

4.How to order.

306-19-F-K-X-X-A1

- F:plug
- K:black
- shell material&plating option:
 - A:SPCC & Nickel plating
 - B:SPCC & Au plating
 - C:Brass & Nickel plating
 - D:Brass & Au plating
- terminal plating option:
 - 1:Gold flash
 - 5:selective plating gold 15u" on contact area.
 - 6:selective plating gold 30u" on contact area.

图号(DWG NO)	-----	单位(UNIT):	MM	深圳显赫科技有限公司 ShenZhen XianHe Technological co.,ltd. TEL:0755-27536828 FAX:0755-27536522	
模号(MODEL NO)	-----	比例(SCALE)	1:1		
版次(REV):	A/0	页次(PAGE):	1/1	品名(ITEM NO) HDMI 19Pin公头 两排焊线式 有排线架(成品) 改模后	
设计(DESIGN)	LZH 12/28'07	未注公差 TOLERANCE UNSPECIFIED	XXX ±0.30 XXXX ±0.20 XXXX ±0.05 X° ±5° XX° ±2°		
审核(CHECKED)		核准(APPROVED)		料号(PART NO)	306-19-F-K-X-X-A1