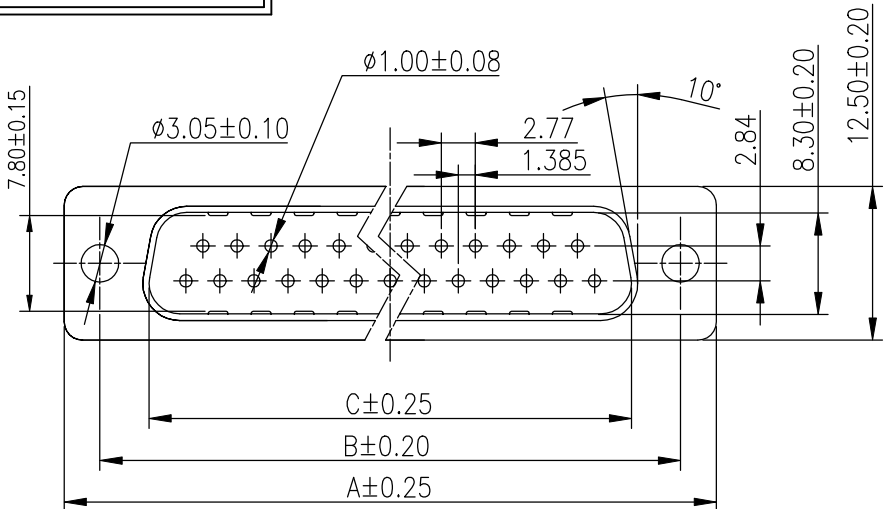


RoHS Compliant

REV.	ECN NO	LTR	DESCRIPTION	REVISER	DATE
A/0			Initial release.	Nelson	2016.03.02
A/1	2023060601	△	按客户要求增加插拔力	LIYJIE	2023.06.06



Material:  
 1.Insulator:PBT+30 %Glass Fiber (UL94V-0)  
 2.Contact:Brass C2680.  
 Selective gold plating on contact area.  
 80u" tin plating on solder tail.  
 50u" nickel plating over base.  
 3.Shell:SPCC-SD  
 Front shell:80u" nickel plating over 60u"Min.Cu.  
 Back shell:80u" tin plating over 60u"Min.Cu.  
 4.Nut:BRASS. 50u" Nickel plated overall.

Electrical Characteristics:  
 1.Contact Current Rating:5 AMPS  
 2.Insulation Resistance:5000M Ohm MIN.  
 3.Contact Resistance:30m Ohm Max.  
 4.Dielectric Withstanding Volt:1000V AC Min.  
 5.Operation Temperature:-55°C to +105°C

Mechanical:  
 1.MATINGFORCE:  
 DB9Pin(4.54Kgf Max.),DB15Pin(7.72Kgf Max.),  
 DB25Pin(12.71Kgf Max.),DB37Pin(17.71Kgf Max.),  
 UNMATING FORCE:  
 DB 9Pin(0.34Kgf Min.),DB 15Pin(0.45Kgf Min.),  
 DB 25Pin(0.79Kgf Min.),DB 37Pin(1.14Kgf Min.),  
 2.DURABILITY: 500 times at a rate of 200 ±100 cycles per hour

301-XX-M-X-X-1-X-X-XX

PIN  
 09:09Pin  
 15:15Pin  
 25:25Pin  
 37:37Pin

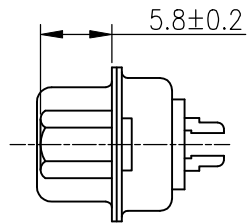
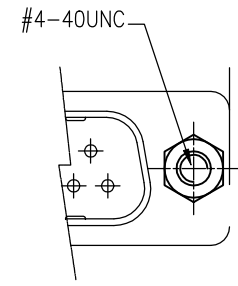
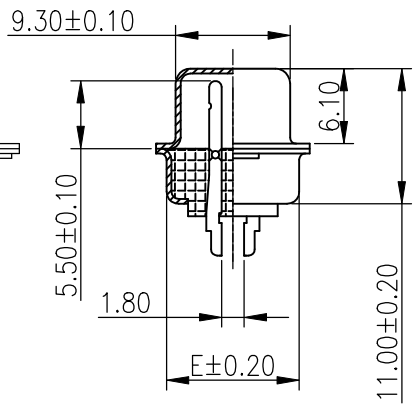
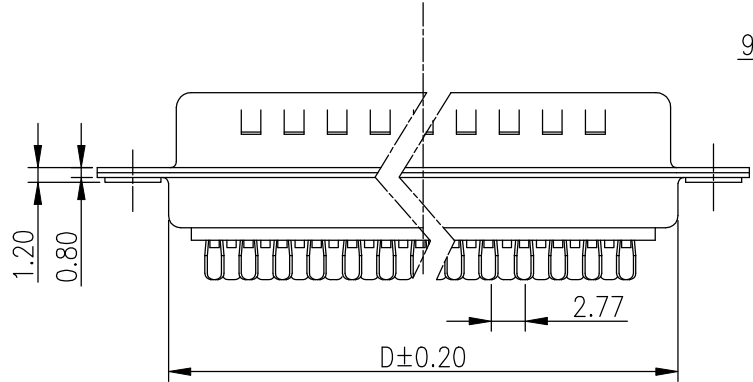
Housing color:  
 B:blue  
 K:black  
 W:white  
 G:green  
 Y:yellow

Option  
 -With HF: Halogen free  
 -Without HF: RoHS

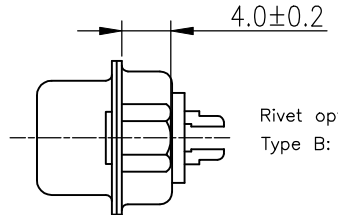
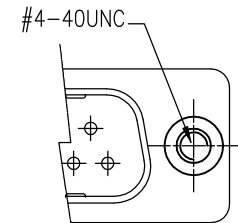
Rivet option:  
 -A:Rivet solid nut on front  
 -B:Rivet hollow nut on back  
 -C:Rivet hollow nut on front  
 -X:No rivets  
 -A1:assy solid nut on front the nuts are gold plating  
 -B1:assy hollow nut on back the nuts are rotundity  
 -B3:assy hollow nut on back the nut high 2.5mm  
 -A2:assy hollow nut on back ass'y the screw on conn.

Shell palting option  
 A:salt spray 12H  
 C:salt spray 24H  
 D:salt spray 48H  
 E:front shell gold plating

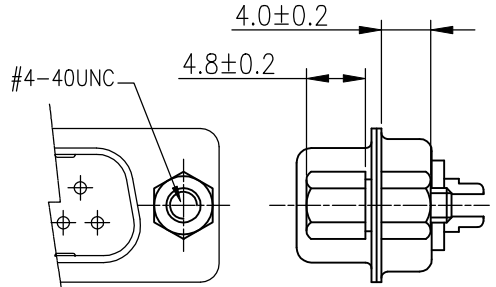
Plating option  
 1:gold flash  
 2:selective gold 3u" plating  
 3:selective gold 5u" plating  
 4:selective gold 10u" plating  
 5:selective gold 15u" plating  
 6:selective gold 30u" plating



Rivet option:  
 Type A: ass'y solid nut on front



Rivet option:  
 Type B: ass'y hollow nut on back



Rivet option:  
 Type A2: ass'y the screw on conn.

DIM	PIN	9Pin	15Pin	25Pin	37Pin
A		30.80	39.20	53.05	69.40
B		25.00	33.30	47.05	63.50
C		16.92	25.25	38.95	55.40
D		19.20	27.70	41.10	57.30
E		10.80	10.70	10.70	10.70

图号 (DWG NO)	G-301-S1-7	单位 (UNIT):	MM
模号 (MODEL NO)		比例 (SCALE):	1:1
版次 (REV):	A/1	页次 (PAGE):	1/1
设计 (DESIGN)	Peng.ZJ	未注公差	TOLERANCE UNSPECIFIED
审核 (CHECKED)		X.X ± 0.38	
核准 (APPROVED)		X.XX ± 0.20	
		X.XXX ± 0.10	
		X ± 5	
		X.X ± 2	

**XKIE** 显赫电子科技有限公司  
 XianHe Electronic Technology co., ltd.  
 TEL:0769-89138899 FAX:0769-89100950

品名 (ITEM NO) DB Male solder type

料号 (PART NO) Please see P/N information