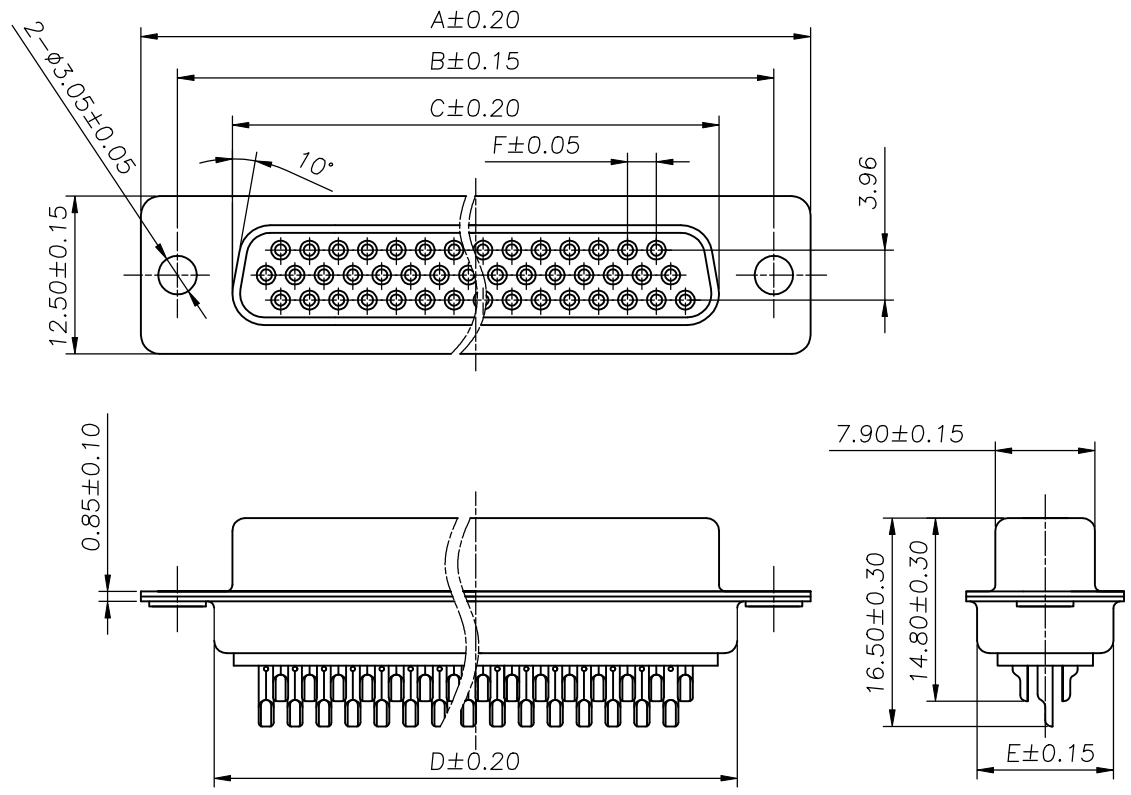


RoHS Compliant

REV.	ECN NO	LTR	DESCRIPTION	REVISER	DATE



- 1.MATERIAL:
 INSULATOR: PBT&Nylon66+ 30% GLASS FIBER UL94V-0
 Color:Black\White\Blue
 TERMINAL: COPPER ALLOY
 GOLD FLASH ON CONTACT AREA
 SN:80u" ON SOLDER TAIL
 NICKEL:30u" Min ON THE BASE
 SHELL: SPCC-SD
 Front shell:80u"Min. nickel/80u"Min. tin plating over 40u"Min.Cu.
 Back shell:80u"Min. tin plating over 40u"Min.Cu.
- 2.ELECTRICAL:
 INSULATOR RESISTANCE: 1000MEGOHMS Min. 500V DC.
 DIELECTRIC WITHSTANDING VOLTAGE: 1000V AC R.M.S
 VOLTAGE TATING: 40V AC (RMS) CONTINUOUS MAX.
 CURRENT RATING: 5A.
 CONTGACT RESISTANCE: 20 MILLIOHMS MAX.
- 3.ENVIRONMENTAL
 TEMPERATURE RANGE:-25°C TO + 85°C.
- 4.MECHANICAL
 MATING FORCE:18Kgf MAX(44Pin)
 UNMATING FORCE:1.8Kgf Min(44Pin)
- How to order

304-XX-F-X-X-X-X

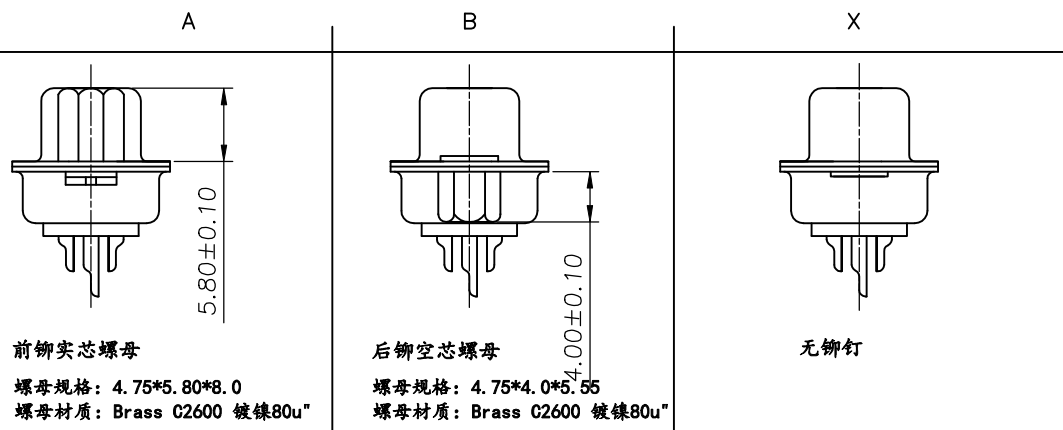
PIN 数 ————
 F:FEMALE ————
 颜色规格
 B:兰色
 K:黑色
 W:白色

柳钉型式
 A:前柳实芯螺母
 B:后柳空芯螺母
 X:无柳钉

铁壳电镀
 A:铁壳前镍后锡
 B:前镍后锡24H

端子电镀
 1:G/F 1u"
 5:半金 15u"
 6:半金 30u"

DIM \ PIN	HDD15S	HDD26S	HDD44S	HDD62S
A	30.80	39.20	53.05	69.40
B	25.00	33.30	47.05	63.50
C	16.35	24.70	38.40	54.80
D	19.20	27.70	41.10	57.30
E	10.80	10.70	10.70	10.80
F	2.29	2.29	2.29	2.41



图号 (DWG NO)	G-304-S1-507	单位 (UNIT):	MM		显赫电子科技有限公司 XianHe Electronic Technology co., ltd.
类别 (DWG TYPE)	SALES	比例 (SCALE):	1:1		
版次 (REV):	A/0	页次 (PAGE):	1/1		TEL:0769-89138899 FAX:0769-89100950
设计 (DESIGN)	LJR	未注公差	TOLERANCE UNSPECIFIED	品名 (ITEM NO)	HDD Female solder type
审核 (CHECKED)	Wangjr	.X.X ± 0.38 .X.XX ± 0.20 .X.XXX ± 0.10 X' ± 5' X.X' ± 2'		料号 (PART NO)	304-XX-F-X-X-X-X-X
核准 (APPROVED)					