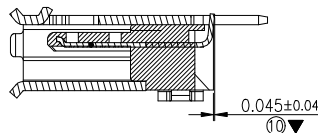
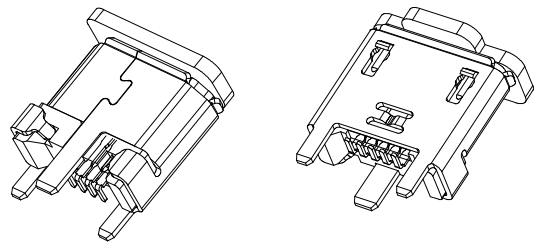
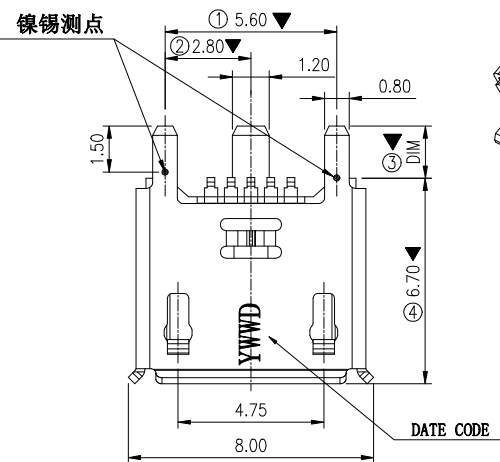
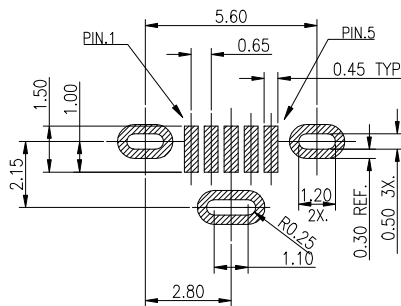


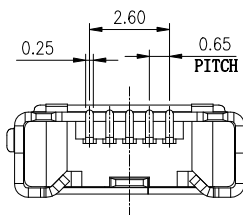
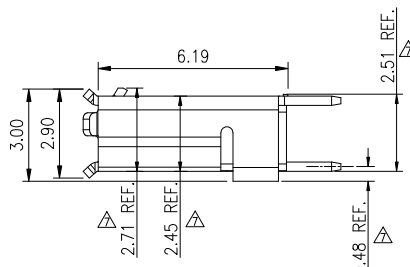
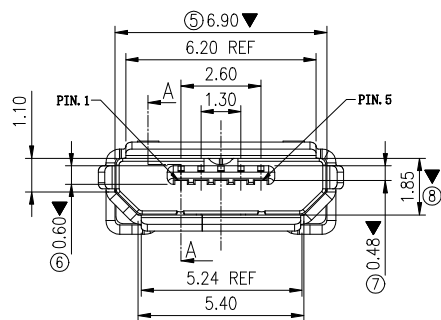
RoHS Compliant



SECTION A-A



RECOMMEND PCB LAYOUT (TOP VIEW)
THK=1.6MM, TOLERANCE:±0.05MM



Pin Assignment

Pin No.	Signal Name
1	VBUS
2	D-
3	D+
4	ID
5	GND
SHELL	SHIELD

NOTE:

1. MATERIAL:

- 1.1 INSULATOR:LCP-E130i, UL94V-0, COLOR:BLACK
- 1.2 CAP:LCP-E130i, UL94V-0, COLOR:BLACK
- 1.3 CONTACT: BRASS C2680R/H, T=0.15mm (OR C7025-H T=0.15mm TM02) △
- 1.4 SHELL:STAINLESS STEEL SUS304 T=0.30mm

2. PLATING:

- 2.1 CONTACT: SELECTIVE GOLD PLATED ON CONTACT AREA GOLD FLASH ON SOLDER TAILS, 50u" Min. NICKEL UNDER-PLATED OVERALL.
- 2.2 SHELL:NICKEL 50U" MIN PLATED OVERALL. MATTE TIN 100U"~150U" PLATING ON SURFACE OVERALL

3. CHARACTERISTICS:

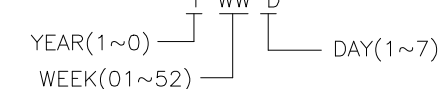
- 3.1 ELECTRICAL CHARACTERISTICS:
CONTACT RESISTANCE:30mΩ MAXIMUM
CONTACT CURRENT RATING:1.8A
DIELECTRIC WITHSTANDING VOLTAGE:100 V AC R.M.S.
INSULATION RESISTANCE: 100 MEGOHMS MIN (MATED)
OPERATING TEMPERATURE:-40°C ~ +80°C

3.2 MECHANICAL:

- MATING FORCE: 35N.Max.
- UNMATING FORCE: 10N.Min,8N.Min(AFTER DURABILITY TEST)

4. THE DIMENSIONS WITH "▽" MARK ARE CRITICAL AND SHOULD BE CONTROLLED BY QC.

5. DATE CODE INFORMATION:

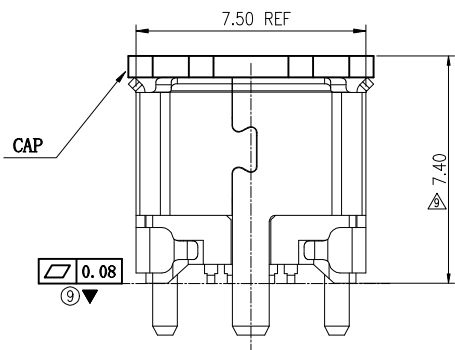


PART NUMBER INFORMATION

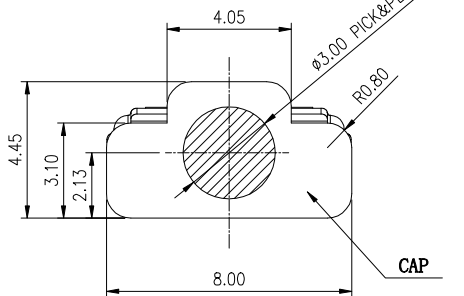
318BFKMI-X-XX

CONTACT PLATING OPTION | SHELL DIP LENGTH

- 1:GOLD FLASH
- 5:GOLD 15U"
- 6:GOLD 30U"
- 18: DIM=1.7MM
- 27: DIM=2.3MM △
- △ 41: DIM=1.7MM(CONTACT:C7025)



端子pin和胶芯平面共面度



图号 (DWG NO)	G-318-S1-70	单位 (UNIT):	MM
类别 (DWG TYPE)	SALES DWG	比例 (SCALE)	1:1
版次 (REV):	A/9	页次 (PAGE):	1/1
设计 (DESIGN)	Wang_jr	未注公差	TOLERANCE UNSPECIFIED
审核 (CHECKED)		x.x	± 0.38
核准 (APPROVED)		x.xx	± 0.20
		x.xxx	± 0.10
		x"	± 5'
		x.x'	± 2'



显赫电子科技有限公司

XianHe Electronic Technology co., Ltd.

TEL:0769-89138899 FAX:0769-89100950

品名 (ITEM NO)	MicroUSB B TYPE RECEPTACLE V/T SMT
料号 (PART NO)	318BFKMI-X-XX