

RoHS Compliant

REV.	ECN NO	LTR	DESCRIPTION	REVISER	DATE
A/0			INITIAL RELEASE	ken	12.12.05
A/1			修改料号	ken	13.01.23
A/2		△	增加PIN位号, 增加底视图	LYJ	2023.04.01

NOTE:

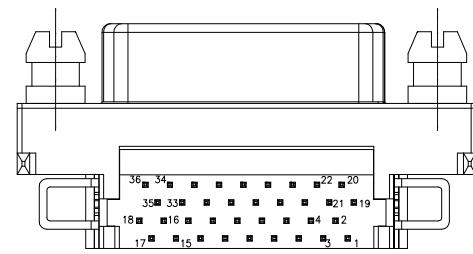
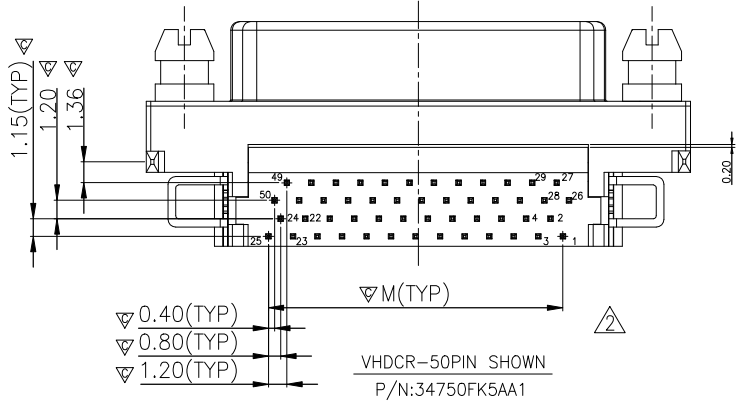
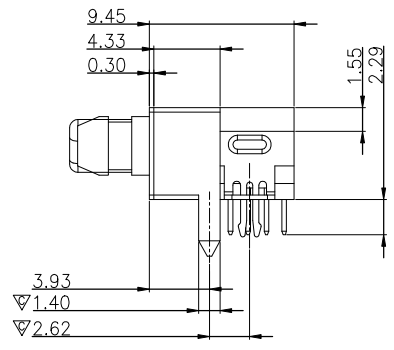
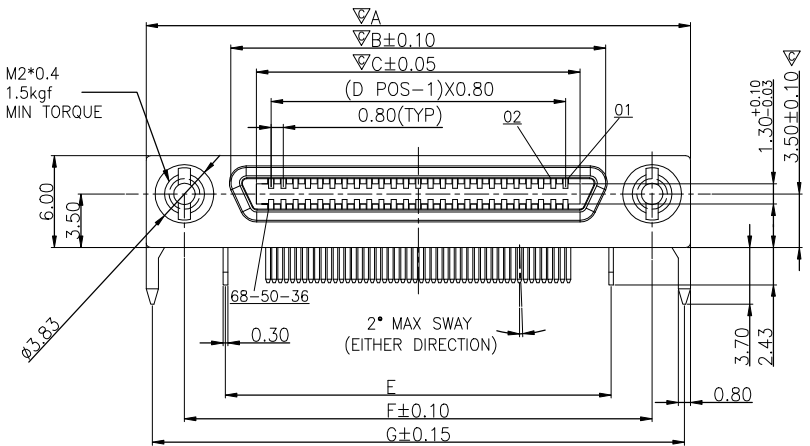
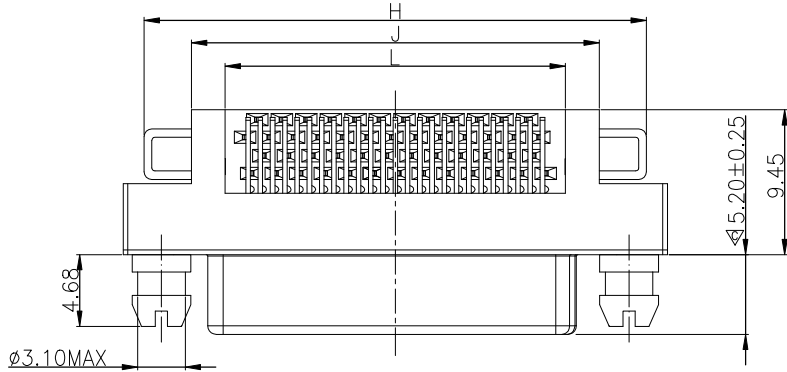
1.MATERIALS:

- HOUSING: THERMOPLASTIC, UL 94V-0 RATED.
- COVER: THERMOPLASTIC, UL 94V-0 RATED.
- CONTACTS: COPPER ALLOY, SELECTIVE GOLD PLATED:  
15u" GOLD OVER 50u" NICKEL IN CONTACT AREA  
100u" TIN OVER 50u" NICKEL ON TAILS.
- SHELL: SPCC, 100u" NICKEL PLATED OVER 80u" Cu ALLOVER.
- HARPOON: COPPER ALLOY, 50"min, Sn:100"min
- SCREW: COPPER ALLOY, Ni 100u" Min
- RIVET: COPPER ALLOY, Cu 60u" Ni 100u" Min

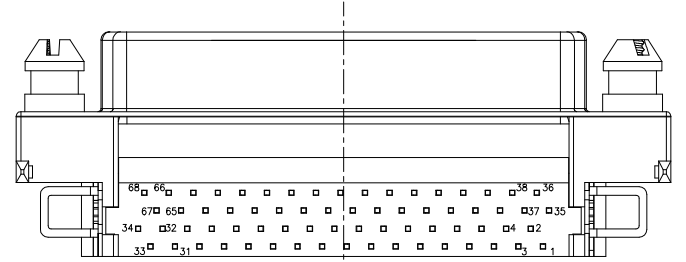
2.SPECIFICATION:

- RATED CURRENT: 0.30A/CONTACT
  - INSULATION RESISTANCE: 500MOHM MIN.
  - DIELECTRIC WITHSTANDING VOLTAGE: 250V AC FOR 1 MINUTE.
  - OPERATING TEMPERATURE: -25°C TO +85°C
- 3.▽ REPRESENTS A CRITICAL DIMENSION.

NO OF POS.	PART NO.	A	B	C	D	E	F	G	H	J	L	M
36	34736FK5BA1	29.90	18.85	15.50	18	19.55	24.90	29.10	27.15	21.00	16.60	12.80
50	34750FK5AA1	35.50	24.45	21.10	25	25.15	30.50	34.70	32.75	26.60	22.20	19.20
68	34768FK5BA3	42.70	31.65	28.30	34	32.35	37.70	41.90	39.95	33.80	29.40	25.60



△ VHDCR-36PIN SHOWN  
P/N:34736FK5BA1



△ VHDCR-68PIN SHOWN  
P/N:34768FK5BA3

图号 (DWG NO)	G-347-S2-3	单位 (UNIT): MM	 <b>显赫电子科技有限公司</b> XianHe Electronic Technology co., Ltd. TEL:0769-89138899 FAX:0769-89100950
类别 (DWG TYPE)	ENG DWG	比例 (SCALE): 1:1	
版次 (REV): A/2	页次 (PAGE): 1/1		品名 (ITEM NO) <b>VHDCR 90度DIP式母头 半金锡15u" LCP 黑色 铆合锁3.83*9.1mm M2圆头开口螺丝</b>
设计 (DESIGN)	KEN	未注公差 TOLERANCE UNSPECIFIED X.X ± 0.15 X.XX ± 0.10 X.XXX ± 0.05 X" ± 2 X.X" ± 1	
审核 (CHECKED)			
核准 (APPROVED)			料号 (PART NO) Please see P/N information