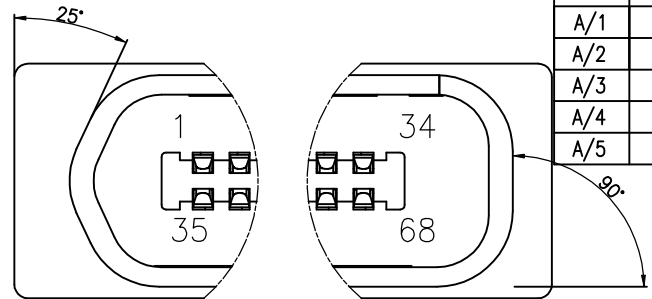
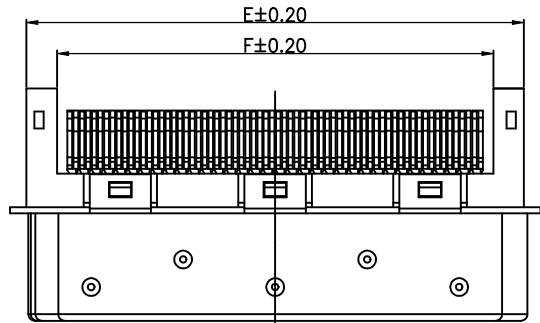
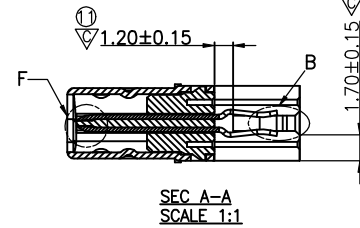
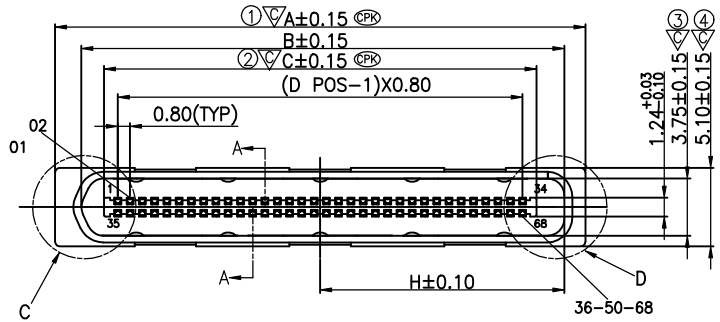


RoHS Compliant

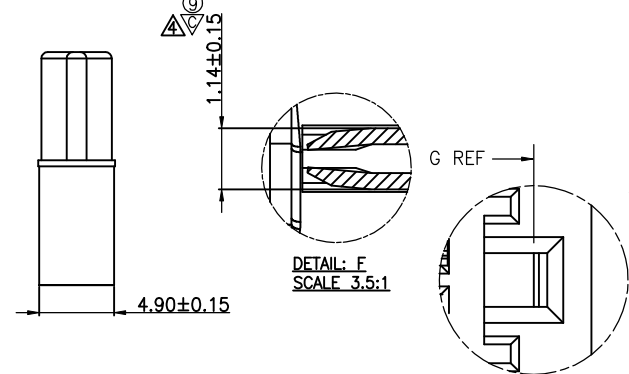
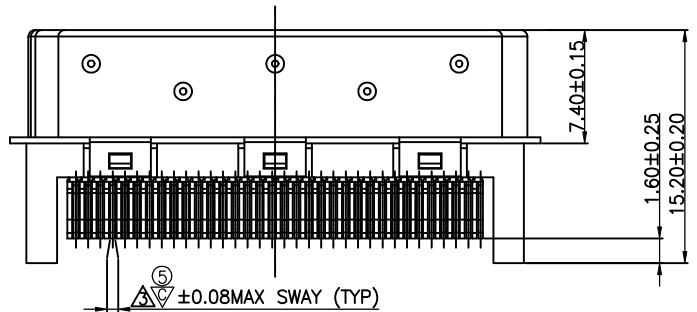


DETAIL C
SCALE 3.5:1

DETAIL D
SCALE 3.5:1

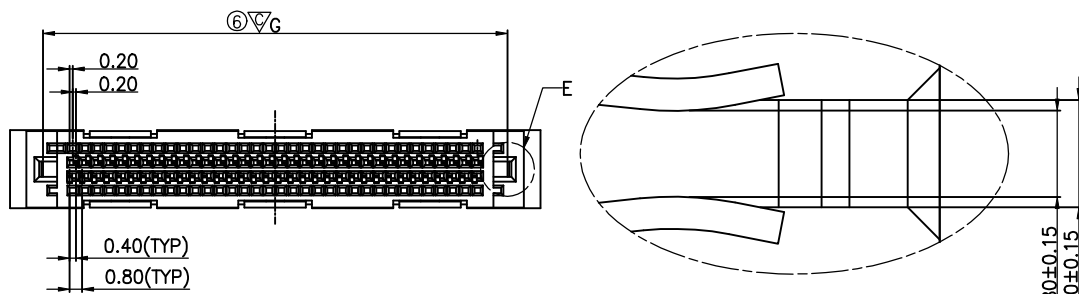


SEC A-A
SCALE 1:1



DETAIL: E
SCALE 3.5:1

DETAIL: E
SCALE 3.5:1



DETAIL: B
SCALE 7:1

⑦⑧

| REV. | ECN NO | LTR | DESCRIPTION | REVISER | DATE |
|------|--------|-----|---------------------|---------|------------|
| A/1 | | | 增加重点尺寸符号▽ | KEN | 12.11.28 |
| A/2 | | | 完善图面 | KEN | 13.01.16 |
| A/3 | | △ | 增加重点管控尺寸 | KEN | 13.04.10 |
| A/4 | | △ | 增加1.14±0.15MM重点管控尺寸 | KEN | 14.04.14 |
| A/5 | | | 根据实物修改图纸 | WB | 2021.04.08 |

NOTE:

1.MATERIAL:
 INSULATOR: LCP WITH 30% G.F. COLOR:NATURE.
 TERMINAL: COPPER ALLOY
 TERMINAL PLATING: SELECTIVE GOLD FLASH ON CONTACT AREA.
 TIN 100U"MIN.ON SOLDER TAIL.
 FRONT SHELL: SPCC-SD NICKEL PLATING ON SURFACE.
 CU PLATING ON BASE.

2.SPECIFICATIONS

CONTACT CURRENT RATING: 0.5 AMP
 CONTACT VOLTAGE RATING: 30V AC (RMS)
 DIELECTRIC WITHSTANDING VOLTAGE:
 250V AC FOR ONE MINUTE
 INSULATION RESISTANCE: 500MEGOHMS MIN.

3.MATERIALS

CONTACTS: COPPER ALLOY,SELECTIVE GOLD PLATED
 INSULATORS: THERMOPLASTIC UL94V-0 RATED.
 SHELL: COLD ROLLER STEEL.

4.▽ REPRESENTS A CRITICAL DIMENSION.

5.ROHS COMPLIANT.

| NO OF POS. | PART NO. | A | B | C | D | E | F | G | H |
|------------|-------------|-------|-------|-------|----|-------|-------|-------|-------|
| 36 | 34736MW5BA2 | 21.80 | 18.70 | 15.40 | 18 | 19.65 | 15.65 | 17.50 | 9.53 |
| 50 | 34750MW5BA1 | 27.40 | 24.30 | 21.00 | 25 | 25.25 | 21.25 | 23.10 | 12.33 |
| 68 | 34768MW5BA2 | 34.60 | 31.50 | 28.20 | 34 | 32.45 | 28.45 | 30.30 | 15.93 |

| | | | | |
|---------------|--------------|--------------|-----------------------|---|
| 图号 (DWG NO) | G-347-S2-400 | 单位 (UNIT): | MM | 显赫电子科技有限公司 XianHe Electronic Technology co., ltd. |
| 类别 (DWG TYPE) | ENG DWG | 比例 (SCALE): | 1:1 | |
| 版次 (REV): | A/5 | 页次 (PAGE): | 1/1 | TEL:0769-89138899 FAX:0769-89100950 |
| 设计 (DESIGN) | KEN | 未注公差 | TOLERANCE UNSPECIFIED | 品名 (ITEM NO) |
| 审核 (CHECKED) | | X.X ± 0.15 | X.XX ± 0.05 | |
| 核准 (APPROVED) | | X.XXX ± 0.03 | X.X ± 0.01 | 料号 (PART NO) |