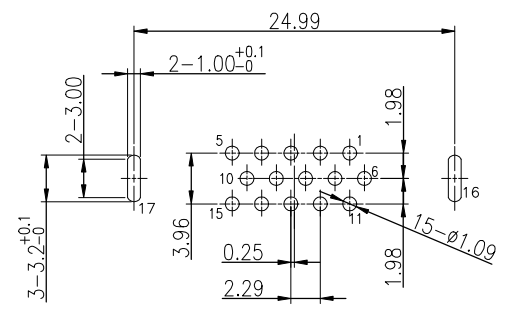
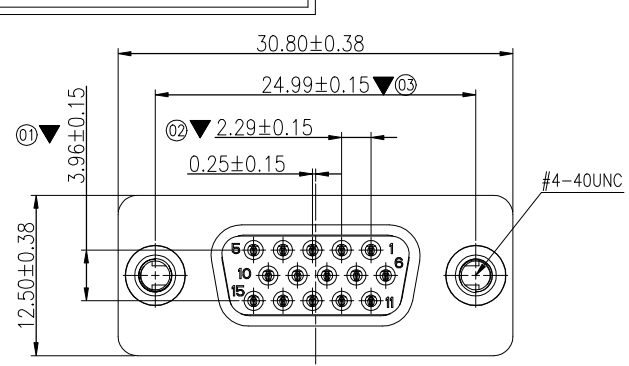
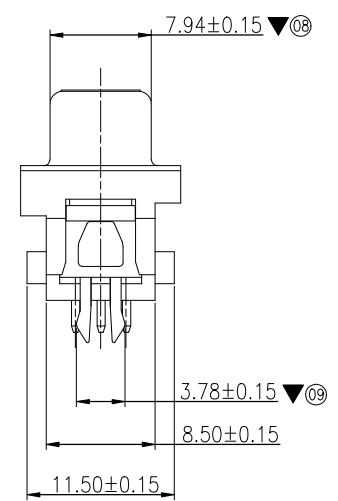
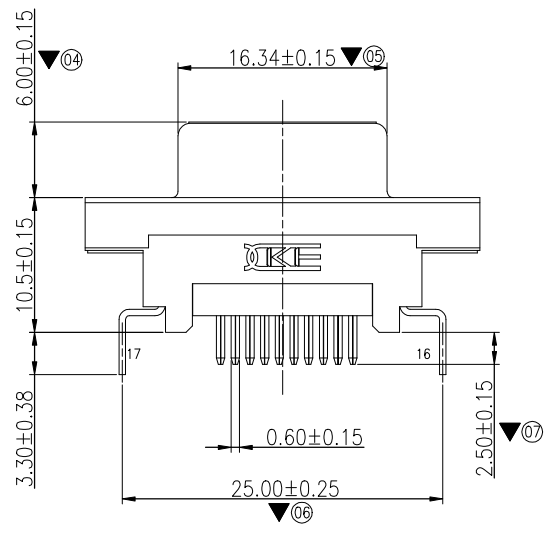


RoHS Compliant

REV.	ECN NO	LTR	DESCRIPTION	REVISER	DATE
A/0			Initial release.	michael	2010.03.29



RECOMMENDED P.C.B LAYOUT  
PCB TOP VIEW TOLERANCE:±0.05mm

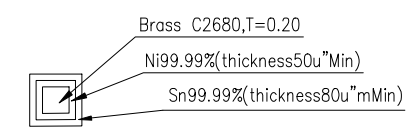


- NOTE:
- MATERIAL:
    - INSULATOR:PBT+30%GF, UL94V-0, COLOR:OPTIONAL
    - TERMINAL: COPPER ALLOY
    - HARPOON: COPPER ALLOY,
    - RIVET: COPPER ALLOY
    - SHELL:SPCC-SD
  - PLATING:
    - CONTACT: SELECTIVE GOLD PLATED ON CONTACT AREA  
80u" Min. TIN PLATED ON SOLDER TAIL  
50u" Min. NICKEL UNDER-PLATED
    - SHELL:50u" Min. NICKEL PLATED OVERALL
  - CHARACTERISTICS:
    - ELECTRICAL CHARACTERISTICS;  
CONTACT RESISTANCE:20mΩ MAXIMUM  
CONTACT CURRENT RATING:2A  
DIELECTRIC WITHSTANDING VOLTAGE:1000 V R.M.S.  
INSULATION RESISTANCE 5000 MEGOHMS MIN  
OPERATING TEMPERATURE:-25°C ~ +85°C
    - MECHANICAL:  
SCREW RECEDE AND TWIST FORCE:6.0±0.5 Kgf
  - THE DIMENSIONS WITH "▼" MARK ARE CRITICAL AND SHOULD BE CONTROLLED BY QC.

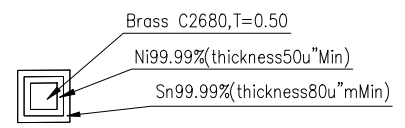
PART NUMBER INFORMATION  
30715F-X-X-BX

Hsg.color: \_\_\_\_\_  
B:Blue(300 C)  
K:Black

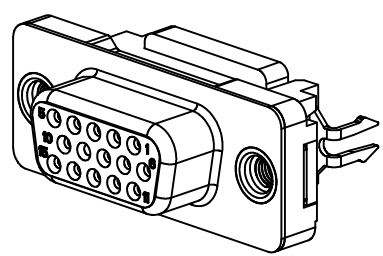
Terminal plating:  
1: Gold flash  
4: Gold 15u" on contact area.  
6: Gold 30u" on contact area.



CONTACT PIN(PIN L: 2.5±0.15)



HARPOON CLIP(PIN L: 3.3±0.38)



图号 (DWG NO)	G-301-S1-15	单位 (UNIT):	MM		显赫电子科技有限公司	
类别 (DWG TYPE)	SALES DWG	比例 (SCALE):	1:1		XianHe Electronic Technology co., Ltd.	
版次 (REV):	A/0	页次 (PAGE):	1/1	TEL:0769-89138899 FAX:0769-89100950		
设计 (DESIGN)	michael	未注公差 TOLERANCE UNSPECIFIED		品名 (ITEM NO)	D-SUB 15Pin(180度)DIP式缩9母座	
审核 (CHECKED)		.X.X ± 0.38 .X.XX ± 0.20 .X.XXX ± 0.10 " ± 5' .X" ± 2'			10. 5H 铆合 (AOC) 环保	
核准 (APPROVED)				料号 (PART NO)	Please see P/N information	