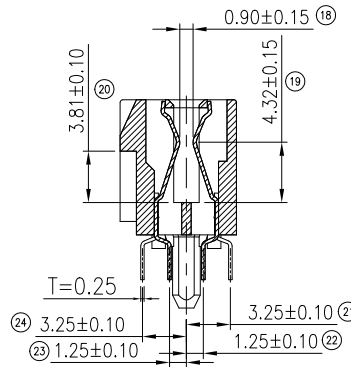
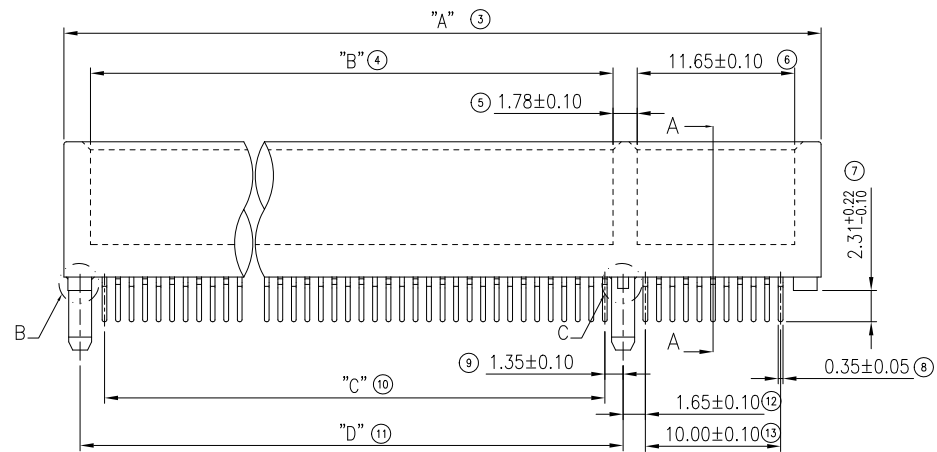
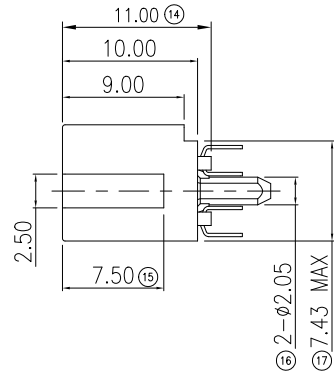
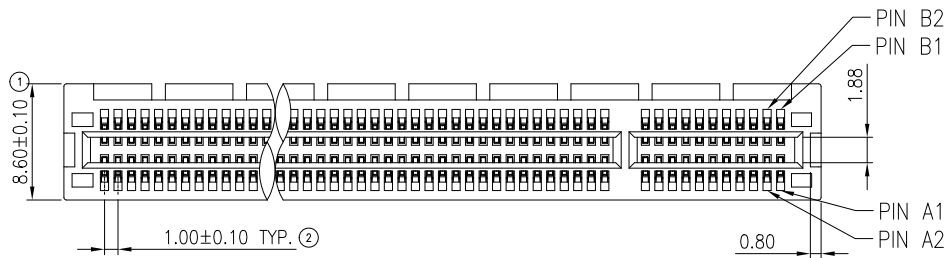


RoHS Compliant

REV.	ECN NO	LTR	DESCRIPTION	REVISER	DATE
A/0			Initial_release.	WB	2021.06.17



SECTION A-A

1. MATERIAL:

Housing: High temperature plastic, Nylon 66+30%G.F (UL94V-0)

Terminal: Phosphor Bronze C5191R-H

2.Finish:

Terminal:

Contact area: select Gold plating

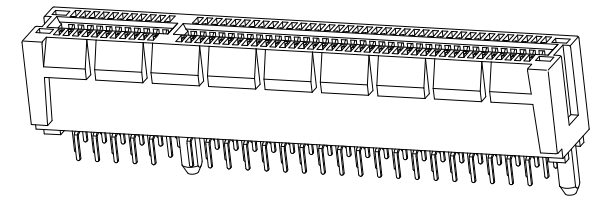
Soldering area: Matte Tin plating 100u" thickness Min.

Under plating: Nickel plating 50u" thickness Min. overall.

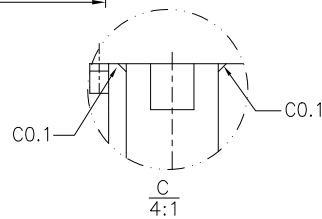
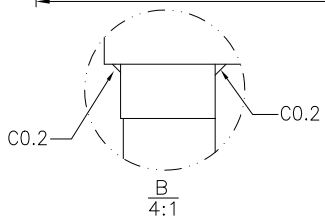
How to order:

328-XXX-X-X-A

Pin number:		contact plating:
-164:164pin		-1: Gold flash
-098:98pin	Hsg.color:	-B:Blue
-064:64pin		-K:Black
-036:36pin		-5: Gold 15u"
		-W:White
		-6: Gold 30u"



3D VIEW



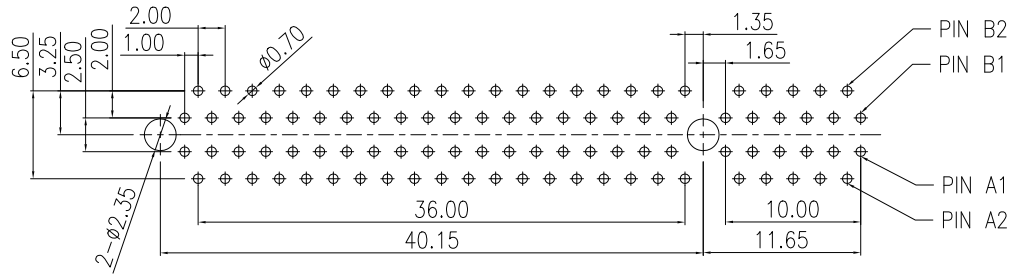
TABLE

P/N	POSITIONS	"A"	"B"	"C"	"D"	"E"	"F"
328036XXA	36	25.00	7.65	6.00	9.15	6.00	8.15
328064XXA	64	39.00	21.65	20.00	23.15	20.00	22.15
328098XXA	98	56.00	38.65	37.00	40.15	37.00	39.15
328164XXA	164	89.00	71.65	70.00	73.15	70.00	72.15

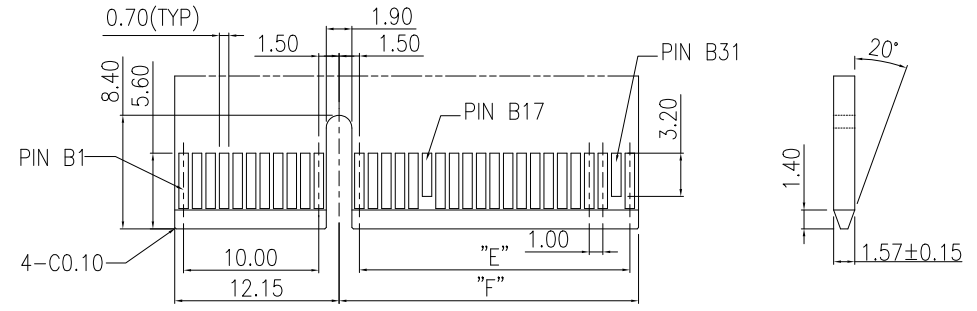
图号 (DWG NO)	G-328-S1-3	单位 (UNIT):	MM	显赫电子科技有限公司 XianHe Electronic Technology co., ltd.
类别 (DWG TYPE)	SALES DWG	比例 (SCALE):	1:1	
版次 (REV):	A/0	页次 (PAGE):	1/2	TEL:0769-89138899 FAX:0769-89100950
设计 (DESIGN)	WB	未注公差	TOLERANCE UNSPECIFIED	品名 (ITEM NO)
审核 (CHECKED)		X.X ± 0.38	X.XX ± 0.20	
核准 (APPROVED)		X.XXX ± 0.10	X" ± 5"	料号 (PART NO)
		X.X" ± 2"		328-XXX-X-X-A

RoHS Compliant

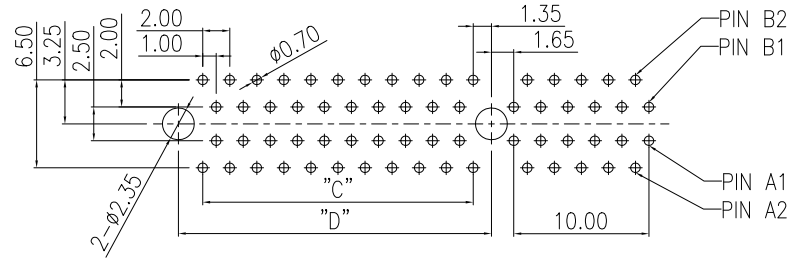
REV.	ECN NO	LTR	DESCRIPTION	REVISER	DATE
A/0			Initial_release.	WB	2021.06.17



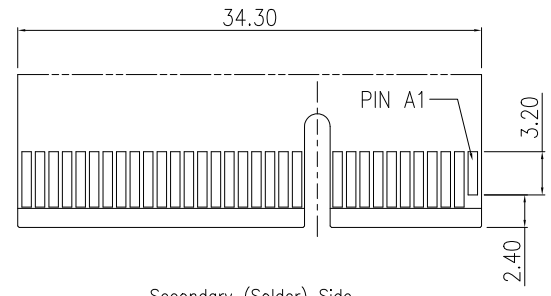
RECOMMENDED PCB LAYOUT (TOP VIEW)
(FOR: -98PIN)



Primary(Component) Side



RECOMMENDED PCB LAYOUT (TOP VIEW)
(FOR: -36PIN, -64PIN, -164PIN)



Secondary (Solder) Side

图号 (DWG NO)	G-328-S1-3	单位 (UNIT): MM		显赫电子科技有限公司 XianHe Electronic Technology co., ltd.
类别 (DWG TYPE)	SALES DWG	比例 (SCALE) 1:1		
版次 (REV): A/0	页次 (PAGE): 2/2		TEL:0769-89138899 FAX:0769-89100950	
设计 (DESIGN)	WB	未注公差 TOLERANCE UNSPECIFIED	品名 (ITEM NO)	PCIE 164/98/64/36Pin 黑色 G/F 插板式 DIP=2.31mm 环保
审核 (CHECKED)		X.X ± 0.38 X.XX ± 0.20 X.XXX ± 0.10 X' ± 5' X.X' ± 2'		
核准 (APPROVED)			料号 (PART NO)	328-XXX-X-X-A