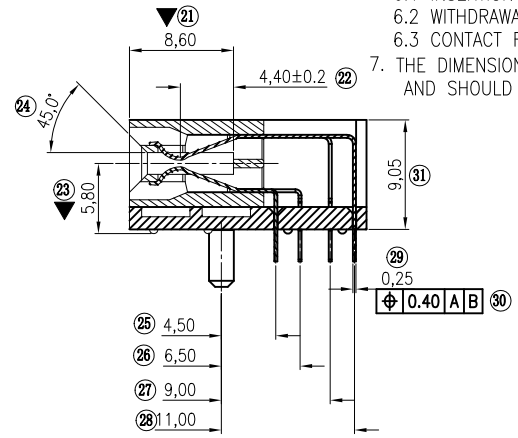
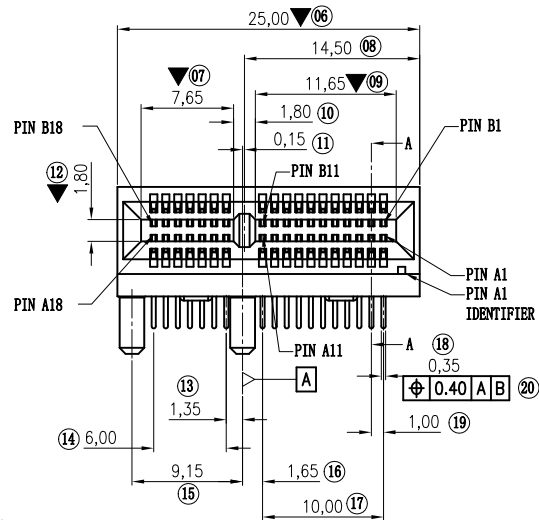
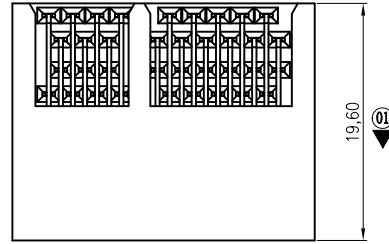


RoHS Compliant

REV.	ECN NO	LTR	DESCRIPTION	REVISER	DATE
A/0			Initial release.	Jerry	2017.08.21
A/1		⚠	依客户要求增加尺寸序号与重点管控尺寸	HXM	2018.11.23



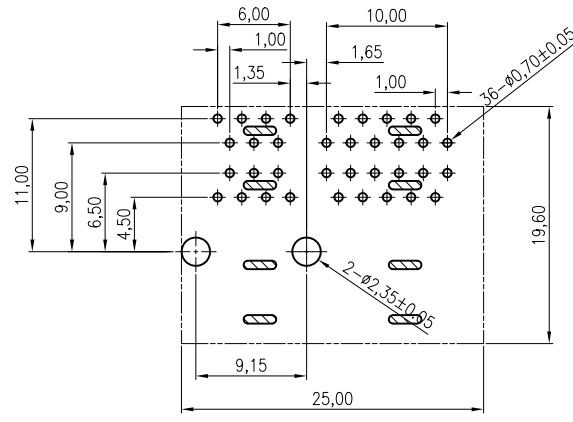
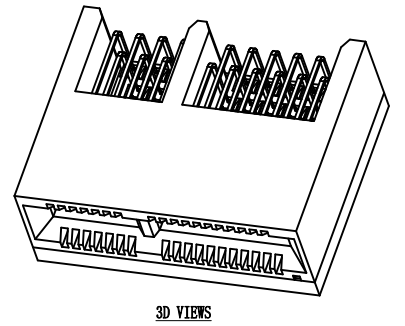
- NOTE:
- MATERIAL:
 - HOUSING: HIGH TEMP NYLON, UL94V-0, COLOR: BLACK HALOGEN FREE.
 - TINE PLATE: LCP, UL94V-0, COLOR: BLACK, HALOGEN FREE
 - TERMINAL: PHOSPHOR BRONZE C5191R/H
 - PLATING:
 - CONTACT AREA: 20u" Min. NICKEL UNDER PLATED OVER ALL GOLD 30u" Min. PLATED ON CONTACT AREA
 - 80u" Min. MATTE TIN PLATED ON SOLDER TAIL
 - LOGO AREA: OPTIONAL
 - SLOT ACCEPTS STANDARD 1.57±10% MM THICK ADD-IN CARD
 - ELECTRICAL CHARACTERS
 - CONTACT RESISTANCE: 30 MILLIOHMS MAX.
 - CURRENT RATING: 1.0 A
 - INSULATION RESISTANCE: 1000 MEGOHMS MIN.
 - MECHANICAL CHARACTERS
 - INSERTION FORCE: 1.15N MAX PER CONTACT PAIR
 - WITHDRAWAL FORCE 0.15N MIN PER CONTACT PAIR
 - CONTACT RETENTION FORCE: 4.9N MIN PER CONTACT
 - THE DIMENSIONS WITH "▼" MARK ARE CRITICAL AND SHOULD BE CONTROLLED BY QC.

PART NUMBER INFORMATION
32836-K-6-C-HF

Hsg.color: K:Black

HALOGEN FREE
REV
RIGHT ANGLE

Terminal plating:
1: Gold Au 1u" on contact area.
4: Gold Au 15u" on contact area.
6: Gold Au 30u" on contact area.



RECOMMENDED PCB LAYOUT
TOP VIEW; THK=1.2*1.6MM, TOL:±0.05MM
KEEP OUT AREA.

图号 (DWG NO)	G-328-S1-502	单位 (UNIT): MM	显赫电子科技有限公司 XianHe Electronic Technology co., Ltd.	
类别 (DWG TYPE)	SALES DWG	比例 (SCALE) 1:1		
版次 (REV): A/1	页次 (PAGE): 1/1		TEL:0769-89138899 FAX:0769-89100950	
设计 (DESIGN)	Nelson	未注公差 TOLERANCE UNSPECIFIED	品名 (ITEM NO)	PCIE 36Pin 黑色 90度DIP式
审核 (CHECKED)		X. ±0.50 X.X ±0.30 X.XX ±0.2 ANGULAR ±1°	料号 (PART NO)	Please see P/N information
核准 (APPROVED)				