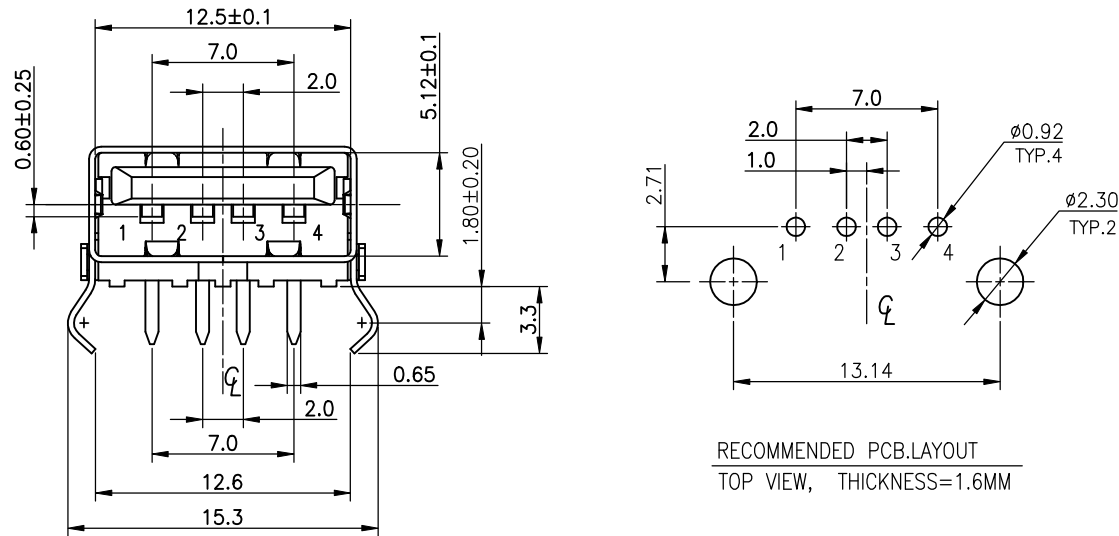
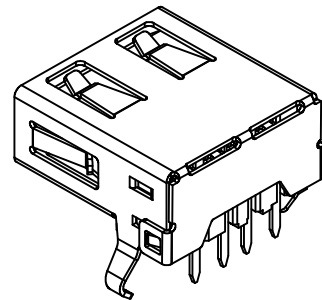
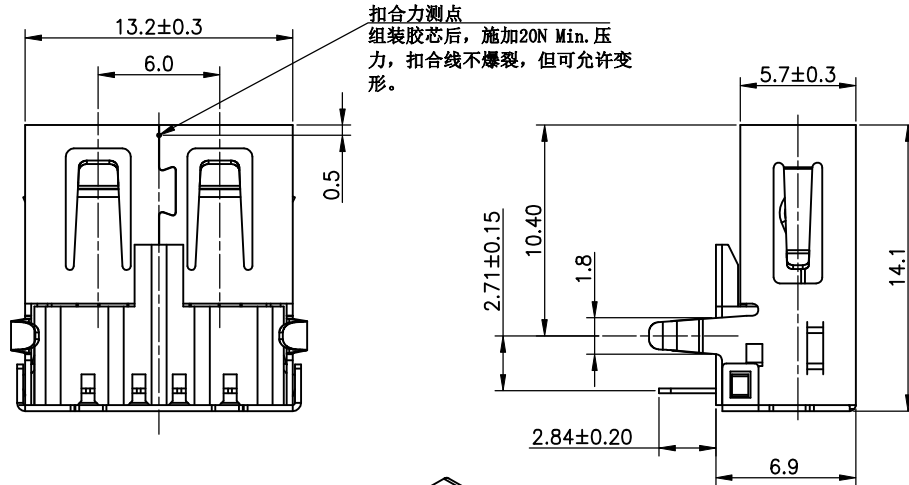


RoHS Compliant

REV.	ECN NO	LTR	DESCRIPTION	REVISER	DATE
A/0			Initial release.	LEON	2022.09.01



RECOMMENDED PCB LAYOUT
TOP VIEW, THICKNESS=1.6MM



1.MATERIAL:
INSULATOR: PBT + 30% GLASS FIBER UL94V-0
TERMINAL: COPPER ALLOY
GOLD ON CONTACT AREA AND TIN ON SOLDER TAIL
NICKEL PLATING ON BASE.
SHELL: COPPER ALLOY NICKEL PLATING ON SURFACE.

2.ELECTRICAL:
INSULATOR RESISTANCE: 1000MEGOHMS MIN.
DIELECTRIC WITHSTANDING VOLTAGE: 500V AC R.M.S
CURRENT RATING: 1.5A Max. AT 250V AC.
CONTACT RESISTANCE: 30 MILLI-OHMS MAX.

3.ENVIRONMENTAL
TEMPERATURE RANGE:-40°C TO + 85°C.
SALT SPRAY TEST:24 HOURS

4.MECHANICAL
MATING FORCE:3.57Kgf Max.
UNMATING FORCE:1.50 Kgf Min.
扣合线面施加20N压力, 扣合线不可爆裂, 但允许有变形。
5.ROHS COMPLIANT.

图号 (DWG NO)	G-319-S1-660	单位 (UNIT): MM		显赫电子科技有限公司 XianHe Electronic Technology co., Ltd.	
类别 (DWG TYPE)	SALSE DWG	比例 (SCALE) 1:1		TEL:0769-89138899 FAX:0769-89100950	
版次 (REV): A/0	页次 (PAGE): 1/1		品名 (ITEM NO)	USB A/F 90度 DIP 无卷边 L=14.1mm 白色半金锡1U" 环保	
设计 (DESIGN)	Nelson	未注公差 TOLERANCE UNSPECIFIED		料号 (PART NO)	319AFWA11TN
审核 (CHECKED)		X.X ± 0.38 X.XX ± 0.20 X.XXX ± 0.10 * ± 5° X.X' ± 2'			
核准 (APPROVED)					